

**SSD Parvex SAS**

8, avenue du Lac - B.P. 249  
F-21007 Dijon Cedex  
[www.SSDdrives.com](http://www.SSDdrives.com)

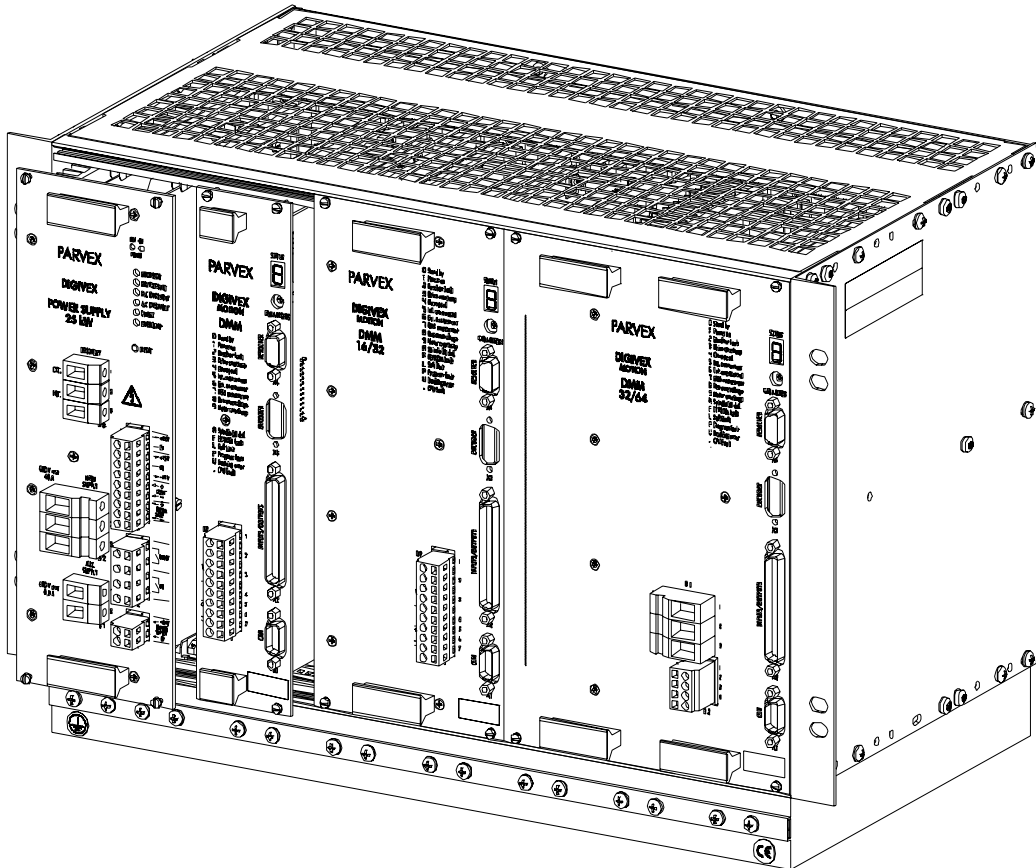


# DIGIVEX Multi Motion

Digital servoamplifier

User and commissioning manual

PVD 3523 GB – 04/2004



## PRODUCT RANGE

### 1 - « BRUSHLESS » SERVODRIVES

#### TORQUE OR POWER RANGES

- **BRUSHLESS SERVOMOTORS, LOW INERTIA, WITH RESOLVER**  
Very high torque/inertia ratio (high dynamic performance machinery):
  - ⇒ NX -HX - HXA 1 to 320 N.m
  - ⇒ NX - LX 0.45 to 64 N.m
High rotor inertia for better inertia load matching:
  - ⇒ HS - LS 3,3 to 31 N.m
Varied geometrical choice :
  - ⇒ short motors range HS - LS 3,3 to 31 N.m
  - ⇒ or small diameter motors : HD, LD 9 to 100 N.m
Voltages to suit different mains supplies :
  - ⇒ 230V three-phase for «série L - NX»
  - ⇒ 400V, 460V three-phase for «série H - NX»
- **"DIGIVEX Drive" DIGITAL SERVOAMPLIFIERS**
  - ⇒ SINGLE-AXIS DSD
  - ⇒ COMPACT SINGLE-AXIS D $\mu$ D, DLD
  - ⇒ POWER SINGLE-AXIS DPD
  - ⇒ MULTIPLE-AXIS DMD
- "PARVEX Motion Explorer" ADJUSTING SOFTWARE

### 2 - SPINDLE DRIVES

- **SPINDLE SYNCHRONOUS MOTORS**
  - ⇒ "HV" COMPACT SERIES
  - ⇒ "HW" ELECTROSPINDLE, frameless, water-cooled motor From 5 to 110 kW  
up to 60,000 rpm
- **"DIGIVEX" DIGITAL SERVOAMPLIFIERS**

### 3 - DC SERVODRIVES

- **"AXEM", "RS" SERIES SERVOMOTORS** 0.08 to 13 N.m
- **"RTS" SERVOAMPLIFIERS**
- **"RTE" SERVOAMPLIFIERS** for DC motors + resolver giving position measurement

### 4 - SPECIAL ADAPTATION SERVODRIVES

- **"EX" SERVOMOTORS** for explosive atmosphere
- **"AXL" COMPACT SERIES SERVOREDUCTERS** 5 to 700 N.m

### 5 - POSITIONING SYSTEMS

- **Numerical Controls « CYBER 4000 »** 1 to 4 axes
- **"CYBER 2000" NC** 1 to 2 axes
- **VARIABLE SPEED DRIVE - POSITIONER**
  - ⇒ SINGLE-AXIS DSM
  - ⇒ POWER SINGLE-AXIS DPM
  - ⇒ MULTIPLE-AXIS DMM
- ADJUSTMENT AND PROGRAMMING SOFTWARE PARVEX Motion Explorer

## Servoamplifier DIGIVEX Multi Motion (DMM)

---

### CONTENTS

SAFETY.....	4
<b>PRODUCT RANGE</b>	<b>2</b>
<b>1. GENERAL PRESENTATION</b>	<b>7</b>
1.1 List of published DIGIVEX Motion manuals	7
1.2 «DIGIVEX Multi Motion» general concepts	7
1.3 System components	8
<b>2. GENERAL CHARACTERISTICS</b>	<b>11</b>
2.1 Power Supply Modules	11
2.2 Servoamplifier Modules	12
2.3 General characteristics of the DMM	12
<b>3. COMPLIANCE WITH STANDARDS</b>	<b>13</b>
<b>4. BRAKING ENERGY DISSIPATION</b>	<b>14</b>
<b>5. SPACE REQUIREMENTS, ASSEMBLY, LABELLING, CODES</b>	<b>16</b>
<b>5.1 Dimensions and mounting</b>	<b>16</b>
5.1.1 Rack and Power Supply	17
5.1.2 DIGIVEX Drive	19
<b>5.2 Labels, Codes</b>	<b>19</b>
5.2.1 Racks	19
5.2.2 Power Supply	20
5.2.3 DIGIVEX Drive	21
<b>5.3 Accessoires</b>	<b>22</b>
5.3.1 Mains filter	22
5.3.2 Inductors for long cable lengths with axis motor	22
5.3.3 External energy dissipation resistors	22
5.3.4 Tool	22
<b>6. ELECTRICAL CONNECTIONS</b>	<b>27</b>
<b>6.1 General Wiring Requirements</b>	<b>27</b>
6.1.1 Appliance handling	27
6.1.2 Electromagnetic compatibility	27
6.1.3 DIGIVEX MOTION Sub-D connectors	28

## Servoamplifier DIGIVEX Multi Motion (DMM)

---

<b>6.2</b>	<b>Typical Connection Diagram</b>	<b>28</b>
6.2.1	Surge Suppressor	31
<b>6.3</b>	<b>Power Supply connection</b>	<b>32</b>
6.3.1	Front panel terminal blocks	32
6.3.2	Terminal block characteristics	33
6.3.3	Power component dimensions	33
6.3.4	Connection to mains	34
6.3.5	Low-Level and Auxiliary Supply	34
6.3.6	External Energy Dissipation Resistor	35
6.3.7	Control signal connection (terminal Blocks X2 and X3)	35
6.3.8	Terminal Block X1 "Brake Supply"	37
<b>6.4</b>	<b>DIGIVEX Drive connection</b>	<b>38</b>
6.4.1	Front panel terminal blocks	38
6.4.1.1	DIGIVEX Drive calibres 2/4, 4/8, 8/16 and 16/32	38
6.4.1.2	DIGIVEX Drive calibre 32/64	39
6.4.2	Terminal block characteristics	40
6.4.3	Description of 7-segment display and LEDs	40
6.4.4	Rotary mini-switch setting (ADDRESS)	40
<b>6.5</b>	<b>Motor connection</b>	<b>41</b>
6.5.1	Motor Power connection	41
6.5.2	Terminal block connection	41
6.5.3	Power connector connection	42
6.5.4	"POWER" Cable Definition	43
6.5.5	Guidelines for use of inductors and resistors for long cables between the motor and drive	45
6.5.6	Holding Brake Connection	49
6.5.7	Thermal protection Connection	49
6.5.8	Motor Ventilation Connection	50
<b>6.6</b>	<b>Resolver Connection</b>	<b>50</b>
6.6.1	Description	50
6.6.2	Sub-D connector X4:"Resolver"	51
6.6.3	Cables	51
<b>6.7</b>	<b>FIELD BUS Connections</b>	<b>53</b>
6.7.1	SUB-D X1 plug : FIELD BUS	53
6.7.2	CANopen connections and cables	53
6.7.3	Profibus connections and cables	53
<b>6.8</b>	<b>Input/Output connection</b>	<b>54</b>
6.8.1	SUB-D X2 socket: Inputs/Outputs	54
6.8.2	Input/Output characteristics	55
6.8.2.1	Logic outputs (out0 - out7)	55
6.8.2.2	Analogue output (outa)	55
6.8.2.3	Logic inputs (in0 - in 15)	56
6.8.2.4	Analogue input (ina)	57

## Servoamplifier DIGIVEX Multi Motion (DMM)

---

6.8.3	Cable	57
<b>6.9</b>	<b>Encoder emulation option connection (SC6639)</b>	<b>59</b>
6.9.1	Description	59
6.9.2	Sub-D connector X3: encoder emulation option	59
6.9.3	Programming resolution and zero mark position	60
6.9.4	Electrical characteristics	60
6.9.5	Cable	62
<b>6.10</b>	<b>External encoder input option connection (SC6638)</b>	<b>64</b>
6.10.1	Description	64
6.10.2	SUB-D X3 sockets: encoder input option	65
6.10.3	Cable	65
<b>6.11</b>	<b>Connecting the SinCos encoder input option (SC6645)</b>	<b>69</b>
6.11.1	Description	69
6.11.2	SUB-D X3 plug: Encoder input option.	70
6.11.3	Cables	70
<b>7.</b>	<b>COMMISSIONING - DIAGNOSTICS</b>	<b>72</b>
<b>7.1</b>	<b>Start Up Sequence</b>	<b>72</b>
7.1.1	Prior Checks	72
7.1.2	Commissioning with PME-DIGIVEX Motion	72
<b>7.2</b>	<b>DIGIVEX Power Supply</b>	<b>73</b>
7.2.1	Straps positions	73
7.2.2	Initialization Sequence	74
7.2.3	Stop Sequence	74
7.2.3.1	Normal stoppage	74
7.2.3.2	Stoppage subsequent to mains supply or braking fault	74
7.2.3.3	Stoppage subsequent to motor drive fault	74
<b>7.3</b>	<b>Detecting Reasons for Stoppage</b>	<b>75</b>
7.3.1	LED display - power supply function	75
7.3.2	DIGIVEX Motion	75
<b>7.4</b>	<b>7-segment display status</b>	<b>76</b>

## Servoamplifier DIGIVEX Multi Motion (DMM)

---

Characteristics and dimensions subject to change without notice.

**YOUR LOCAL CORRESPONDENT**



**SSD Parvex SAS**

8 Avenue du Lac / B.P 249 / F-21007 Dijon Cedex  
Tél. : +33 (0)3 80 42 41 40 / Fax : +33 (0)3 80 42 41 23  
[www.SSDdrives.com](http://www.SSDdrives.com)

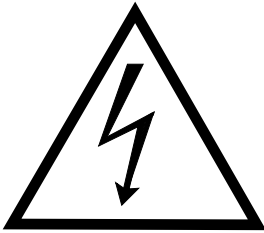
## Servoamplifier DIGIVEX Multi Motion (DMM)

---

### SAFETY

Servodrives present two main types of hazard :

#### - Electrical hazard



Servoamplifiers may contain non-insulated live AC or DC components. Users are advised to guard against access to live parts before installing the equipment.

Even after the electrical panel is de-energized, voltages may be present for more than a minute, until the power capacitors have had time to discharge.

Specific features of the installation need to be studied to prevent any accidental contact with live components :

- Connector lug protection ;
- Correctly fitted protection and earthing features ;
- Workplace insulation (enclosure insulation humidity, etc.).

#### General recommendations :

- Check the bonding circuit;
- Lock the electrical cabinets;
- Use standardised equipment.



#### - Mechanical hazard

Servomotors can accelerate in milliseconds. Moving parts must be screened off to prevent operators coming into contact with them. The working procedure must allow the operator to keep well clear of the danger area.

All assembly and commissioning work must be done by **qualified** personnel who are familiar with the safety regulations (e.g. VDE 0105 or accreditation C18510).

## Servoamplifier DIGIVEX Multi Motion (DMM)

---

### Upon delivery

All servoamplifiers are thoroughly inspected during manufacture and tested at length before shipment.

- Unpack the servoamplifier carefully and check it is in good condition.
- Also check that data on the manufacturer's plate comries with data on the order acknowledgement.

If equipment has been damaged during transport, the addressee must file a complaint with the carrier by recorded delivery mail within 24 hours.

### Caution :


The packaging may contain essential documents or accessories, in particular :

- User Manual,
- Connectors.

### Storage

Until installed, the servoamplifier must be stored in a dry place safe from sudden temperature changes so condensation cannot form.

### Special instructions for setting up the equipment

	<b>CAUTION</b>
	<p>For this equipment to work correctly and safely it must be transported, stored, installed and assembled in accordance with this manual and must receive thorough care and attention..</p> <p>Failure to comply with these safety instructions may lead to serious injury or damage.</p> <p>The cards contain components that are sensitive to electrostatic discharges. Before touching a card you must get rid of the static electricity on your body. The simplest way to do this is to touch a conductive object that is connected to earth (e.g. bare metal parts of equipment cabinets or earth pins of plugs).</p>



## Servoamplifier DIGIVEX Multi Motion (DMM)

# 1. GENERAL PRESENTATION

## 1.1 List of published DIGIVEX Motion manuals

◆ DIGIVEX Single Motion (DSM) User Manual	(DSM)	PVD3515
◆ DIGIVEX Power Motion (DPM) User Manual	(DPM)	PVD3522
◆ DIGIVEX Multi Motion (DMM) User Manual	(DMM)	PVD3523
◆ DIGIVEX Motion - CANopen		PVD3518
◆ DIGIVEX Motion - Profibus		PVD3554
◆ PME-DIGIVEX Motion Adjustment Manual		PVD3516
◆ DIGIVEX Motion Directory of Variables		PVD3527
◆ DIGIVEX Motion Programming		PVD3517
◆ DIGIVEX Motion - Cam Function		PVD3538
◆ PME Tool kit User and Commissioning Manual		PVD3528
◆ CANopen - CAN Bus Access via CIM03		PVD3533
◆ CANopen - Remote control using PDO messages		PVD3543
◆ "Block Positioning" Application Software		PVD3519
◆ "Fly shear linear cutting" software application		PVD3531
◆ "Rotary blade cutting" software application		PVD3532
◆ Motor user's manuals:		
◆ HX/HS/HD		PVD3490
◆ NX		PVD3535

## 1.2 «DIGIVEX Multi Motion» general concepts

Les modules existent en 3 dimensions et 5 calibres : 2/4, 4/8, 8/16, 16/32, 32/64.

"DMM" servoamplifiers are designed to control "H" or "NX" series, magnet-type, synchronous, brushless motors (400 V power supply).

A multi-axis "DIGIVEX Multi Motion" electronic control system made up of :

- a rack,
- a power supply module that draws the 400 V / 50-60 Hz mains supply directly and outputs 550 V bus voltage. This module also controls energy discharge via internal or external resistors.
- Control and positioning modules connected to the servomotor (power and resolver).

Control and positioning modules are designed to provide:

- positioning or synchronization functions from,
  - ◆ either the motor resolver,
  - ◆ or an external incremental encoder
- plc-type logic functions
- message or parameter transfers via a CANopen or Profibus field bus.

Parameters specification (current, speed, position) and programming (pseudo BASIC or applicative programs) are done by PC with "PME - DIGIVEX Motion" software (under WINDOWS). A 7-segment display provides a direct readout of the main drive statuses.

## Servoamplifier DIGIVEX Multi Motion (DMM)

---

### 1.3 System components

---

The rack provides the following functions :

- Mechanical support of power supply and drive cards.
- Support for regeneration resistors and power bus capacitors.
- Power transfer from supply to drive (550 V power bus).
- Low-level supply transfer from DIGIVEX Power Supply to DIGIVEX Drive (low-level bus).
- Logic signal transfer between drive and power supply :
  - ◆ Drive OK
  - ◆ Reset
- Emergency stop control
- 24V brake supply transfer. The 24V filtered-regulated supply is not part of our supply, (see brake connection).

A DSM drive system comprises as a minimum:

- A rack system containing a 400V threephased alimentation DIGIVEX Power Supply
- One or several servoamplifier DIGIVEX Motion
- A mains filter for compliance with CE requirements
- An H or NX series (400 V supply) brushless motor with a resolver-type position sensor and thermal protective sensor. The motor may be equipped with a brake (see motor code).
- A control unit for activating the stored programs via DSM inputs / outputs (contacts, push buttons, and possibly an external plc).

It may also feature:

- Additive chokes located close to the drive between the motor and drive where long cables are used.
- A supplementary resistor for "recovering" braking energy where there is high inertia and short cycles
- An option
  - ◆ "external encoder input" for "master-slave" type operations or for applications requiring position acknowledgement on the machine and not the motor.OR
  - ◆ "encoder emulation output" (with resolution adjustable from 1 to 16,384 marks per revolution).
- Connection cables (supplied by Parvex).

Regulation parameter specification, drive setting and user program entry or modification is done exclusively by PC with PME-DIGIVEX Motion software.

The drives are fitted, depending on the reference, with CANopen (DMMxxxxxC) or Profibus (DMMxxxxxP) communication inputs as standard.

## Servoamplifier DIGIVEX Multi Motion (DMM)

---

### DIGIVEX Power Supply

The power supply is located at the left side of the rack :

- Receives 400 V three-phase mains supply and provides dc power (550 V internal bus) to the DIGIVEX servoamplifiers (terminal block B2).
- Receives the 400V single phase auxiliary supply (terminal block B1) as input and provides 550V direct voltage as output. Each DIGIVEX Drive generates its own  $\pm 15V$ , 5V and 24V voltages from this "low level bus".
- May receive 24 V supply for servomotor brakes and distributes it to drives via the internal bus (terminal block X1).
- Braking energy dissipation (terminal block B3 on 25 kW calibre).
- 24 V and  $\pm 15V$  "customer" auxiliary supplies (terminal block X3).
- Logic interface with main switch (terminal block X2).
- Interface with emergency stop and external reset (terminal block X3).

Two versions of the power supply are available :

- 12 kW DIGIVEX Power Supply (rectified current = 25 A)
- 25 kW DIGIVEX Power Supply (rectified current = 50 A)

The 12 or 25 kW can be considered as the sum of the mechanical power really used simultaneously by the axis at a given time.

A series of LEDs is used to check the status of the power supply and drives

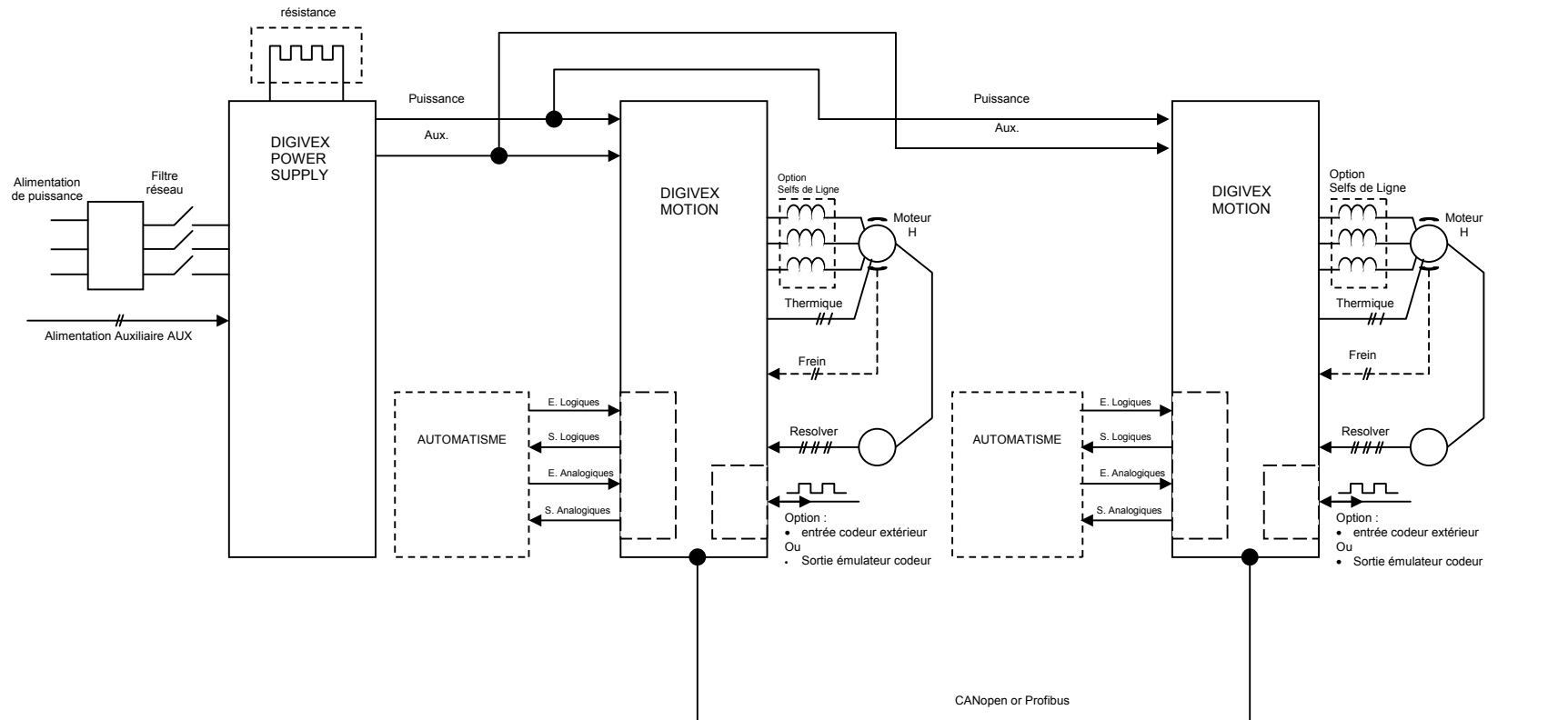
### Possible Combinations

Different versions of several rack models are available :

- 6-location single module racks (19 inch, double Europe rack).
- 3-location single module racks.
- Single module 13-slot racks (19-inch 15U rack).

Rack composition is further restricted by the POWER SUPPLY format.

## Servoamplificateur DIGIVEX Multi Motion (DMM)



## Servoamplifier DIGIVEX Multi Motion (DMM)

# 2. GENERAL CHARACTERISTICS

## 2.1 Power Supply Modules

TYPE	MAINS	MEAN BUS CURRENT	RATED BUS VOLTAGE	REGENERATION
DIGIVEX SUPPLY 12 kW	400 V+/-10% 50 - 60 Hz	25 A	540 V	INTERNAL RESISTOR
DIGIVEX SUPPLY 25kW	400 V+/-10% 50 - 60 Hz	50 A	540 V	INTERNAL OR EXTERNAL RESISTOR

400 V rms three-phase mains supply via terminal block B2 : **terminals U1 - V1 - W1**

Single-phase operations possible (downgraded mode, please ask for details).

50/60 Hz mains supply voltage must be greater than 200 V rms and less than 470 V rms; a transformer or an auto transformer is necessary for use with 460 V  $\pm$  10% or 480 V  $\pm$  10% mains supply.

Current :       **20 A** rms for 12 kW POWER SUPPLY  
                  **40 A** rms for 25 kW POWER SUPPLY

Power loss with temperature :

- Power loss of 2% per °C above 40°C.
- Max. ambient temperature 60°C.

A thermal sensor trips the OK relay when the dissipater reaches 85°C.

Power loss with altitude: Power loss of 1% per 100 m above 1,000 m.

"MAIN SUPPLY " terminal block B2: Marked U1 - V1 - W1.

Mains monitoring :

- No phase (see strap ST1).
- Maximum mains voltage (470 V).

Power bus monitoring :

- Maximum bus voltage (750 V).
- Minimum bus voltage (200 V).

Power dissipated :

- 12 kW power supply : 50 W.
- 25 kW power supply : 100 W.

## Servoamplifier DIGIVEX Multi Motion (DMM)

### 2.2 Servoamplifier Modules

TYPE	PEAK PERMANENT CURRENT	PEAK PULSE CURRENT *	POWER DISSIPATED	LOW-LEVEL CONSUMPTION **	MODULE FORMAT
DMM 2/4	2 A	4 A	20 W	20 W	SINGLE
DMM 4/8	4 A	8 A	35 W	20 W	SINGLE
DMM 8/16	8 A	16 A	70 W	20 W	SINGLE
DMM 16/32	16 A	32 A	130 W	20 W	DOUBLE
DMM 32/64	32 A	64 A	260 W	25 W	TRIPLE

\* Peak pulse current up to 2 s, non repetitive

\*\* En cas d'utilisation d'une carte option émulation codeur ajouter 5 W

### 2.3 General characteristics of the DMM

Power reduction with altitude	Above 1000 m, service power falls by 1% for every 100 m up to a maximum altitude of 4000 m
Operating temperature	Normal use: 0 - 40°C Above 40°C, service power fall by 20% for every 10°C up to a maximum temperature of 60°C.
relative humidity	85% (without condensation)
Storage temperature	-30°C to +85°C
Chopping frequency	8 kHz
Current bandwidth	600Hz to -3dB
Speed bandwidth	Up to 60Hz
Maximum speed	Driven by DMM : 60,000 rpm
Electrical protection	Electrical isolation of power bridge Mean current protection depending on drive rating Pulse current protection of drive and motor rms current protection of motor Protection against short circuits at bridge output
Mechanical protection	IP20 under IEC 529
Other monitoring	Tracking error Motor temperature Drive temperature No resolver Brake supply Limit switches
User programs	FLASH_DM : 512 Kilobyte
Memory sizes	PROG_DM : 256 Kilobyte

Communication bus:

- CANopen: DMMxxxxxC reference positioner drives
- Profibus: DMMxxxxxP reference positioner drives

## Servoamplifier DIGIVEX Multi Motion (DMM)

---

# 3. COMPLIANCE WITH STANDARDS

The CE mark is affixed to the front panel of the rack (on the ventilation block).

DIGIVEX DRIVE and DIGIVEX POWER SUPPLY bear the CE mark under European Directive 89/336/EEC as amended by Directive 93/68/EEC on electromagnetic compatibility. This European Directive refers to the harmonised generic standards EN50081-2 of December 1993 (Electrical Compatibility - Generic Standard for Emissions - Industrial Environments) and EN50082-2 of June 1995 (Electromagnetic Compatibility - Generic Standard for Immunity - Industrial Environments). These two harmonised generic standards are based on the following standards :

- EN 55011 of July 1991 : Radiated and conducted emissions
- EN 50140 of August 1993 and ENV 50204 : Immunity to radiated electromagnetic fields
- EN 61000-4-8 of February 1994: Mains frequency magnetic fields
- EN 61000-4-2 of June 1995 : Electrostatic discharge
- ENV 50141 of August 1993 : Interference induced in cables
- EN 61000-4-4 of June 1995 : Rapid transient currents

Compliance with the reference standards above implies adherence to the instructions and wiring diagrams in the technical documents supplied with the appliances.

### **Incorporation in Machinery**

The design of the equipment means it can be used in machinery covered by Directive 89/392/EEC (Machine Directive) provided that it is integrated (or incorporated and/or assembled) in accordance with the rules-of-the-art by the machinery manufacturer and in keeping with the instructions in this booklet.

## Servoamplifier DIGIVEX Multi Motion (DMM)

# 4. BRAKING ENERGY DISSIPATION

Braking energy is dissipated by a **rack-mounted** resistor for the 12 kW power supply, or **rack-mounted or external** resistor for the 25 kW power supply.

Regeneration is controlled on the basis of two voltage limits measured across the power bus :

- Resistor cuts in at  $U = 700 \text{ V}$ .
- Resistor cuts out at  $U = 690 \text{ V}$ .

Upon energising the system tests the value of the current through the braking resistor. It should be  $10 \text{ A} < I \leq 70 \text{ A}$ . This means either no resistance (break) or a short circuit can be detected. If a fault occurs the OK relay is tripped.

There are two models of external resistor in insulated enclosures (See § 5.3) :

- 2 kW -  $27 \Omega$  (RE91001).
- 4.5 kW -  $12 \Omega$  (RE91002).

### 12 kW Power Supply with internal rack resistor

Internal resistor only whose temperature is monitored by thermal sensor.

### 25 kW Power Supply with internal rack resistor

In terminal block B3 there must be a strap between terminals INT B3/2 - B3/3.

**CAUTION** : Strap ST2 must remain in position 2-3 without fail. See § 4.1.1 for strap positions.

### Power Supply with external resistor

In terminal block B3 there is not strap between terminal INT (B3/2 and B3/3). The external resistor is connected between terminal EXT (B3/1 B3/2).

## SUMMARY CHART OF BRAKING ENERGY DISSIPATION ARRANGEMENTS FOR POWER SUPPLY MODULES

		12 kW POWER SUPPLY	25 kW POWER SUPPLY		
		INTERNAL RESISTOR	INTERNAL RESISTOR	EXTERNAL RESISTOR	
				RE 91002	RE 91001
Resistor value	$\Omega$	22 (66)	22	12	27
Max. current	A	32 (10)	32	60	26
Pulse power	kW	22 (7.5)	22	40	18
Permanent power	kW	1.1 (0.37)	1.1	4.5	2
<b>ST2 in position 2-3 (Int Res)</b>					
Max. non-repeat time	s	2	2	2	2
Max. repeat cycle time	s	0.2	0.2	0.2	0.2
Repetition	%	5	5	5	5
<b>ST2 in position 1-2 (Ext Res)</b>					
Max. non-repeat time	s	N/A	N/A	5	5
Max. repeat cycle time	s	N/A	N/A	0.5	0.5
Repetition	%	N/A	N/A	12	12

(--) Values for reduced ventilation racks.



## Servoamplifier DIGIVEX Multi Motion (DMM)

---

**Max. current** : Maximum controlled current, the resistor is activated at 700 V, the controlled current is equal at most to 700 / resistor value.

**Pulse power** : Maximum power dissipated by the resistor, this power can only be demanded for short periods and in keeping with a specific cycle.

**Permanent power** : Mean power that can be dissipated permanently by the resistor.

**Max. non-repeat time** : Maximum time in seconds for which pulse power can be demanded (from cold); the resistor must be allowed to cool before braking again. With internal resistors, temperature is monitored by a thermal sensor.

**Max. repeat cycle time** : Maximum time in seconds during which pulse power can be demanded provided that the power is established for only a certain percentage of the total time (repetition).

N.B. The characteristics given for external resistors correspond to natural ventilation conditions of these resistors and at an ambient temperature not exceeding 30°C.

Regeneration monitoring.

- Upon starting, detection of resistor presence. This prohibits starting (OK relay remains open) if the resistor is broken or short-circuited (strap on terminal block B3 in wrong position).
- In addition monitoring is carried out at each regeneration period.
- During operation the internal resistor temperature is monitored.

### Calculation of power dissipation by braking resistor

The permanent and pulse power values shown in the previous table are limited by the braking resistor characteristics.

Where the application includes intensive cycles or long periods of deceleration, the mean power to be dissipated by each drive must be calculated.

$$\text{Power (Watts)} = \frac{J}{2} \left( \frac{N}{9.55} \right)^2 \cdot f$$

J : Moment of inertia of servomotor and load, in kgm<sup>2</sup>.

N : Angular speed of motor shaft at start of braking, in rpm.

f : Repetition frequency of braking cycles in s<sup>-1</sup>.

The formula is for the worst-case scenario. Where the mechanical parts produce substantial friction or reverse yield is low, the power to be dissipated may be substantially less.

The total power to be dissipated from all drives must not exceed the permissible permanent power for the resistor. Durations and repetitions must not exceed the values in the preceding table.

Servoamplifier DIGIVEX Multi Motion (DMM)

# 5. SPACE REQUIREMENTS, ASSEMBLY, LABELLING, CODES

## 5.1 Dimensions and mounting

Two sizes of rack are available in three versions :

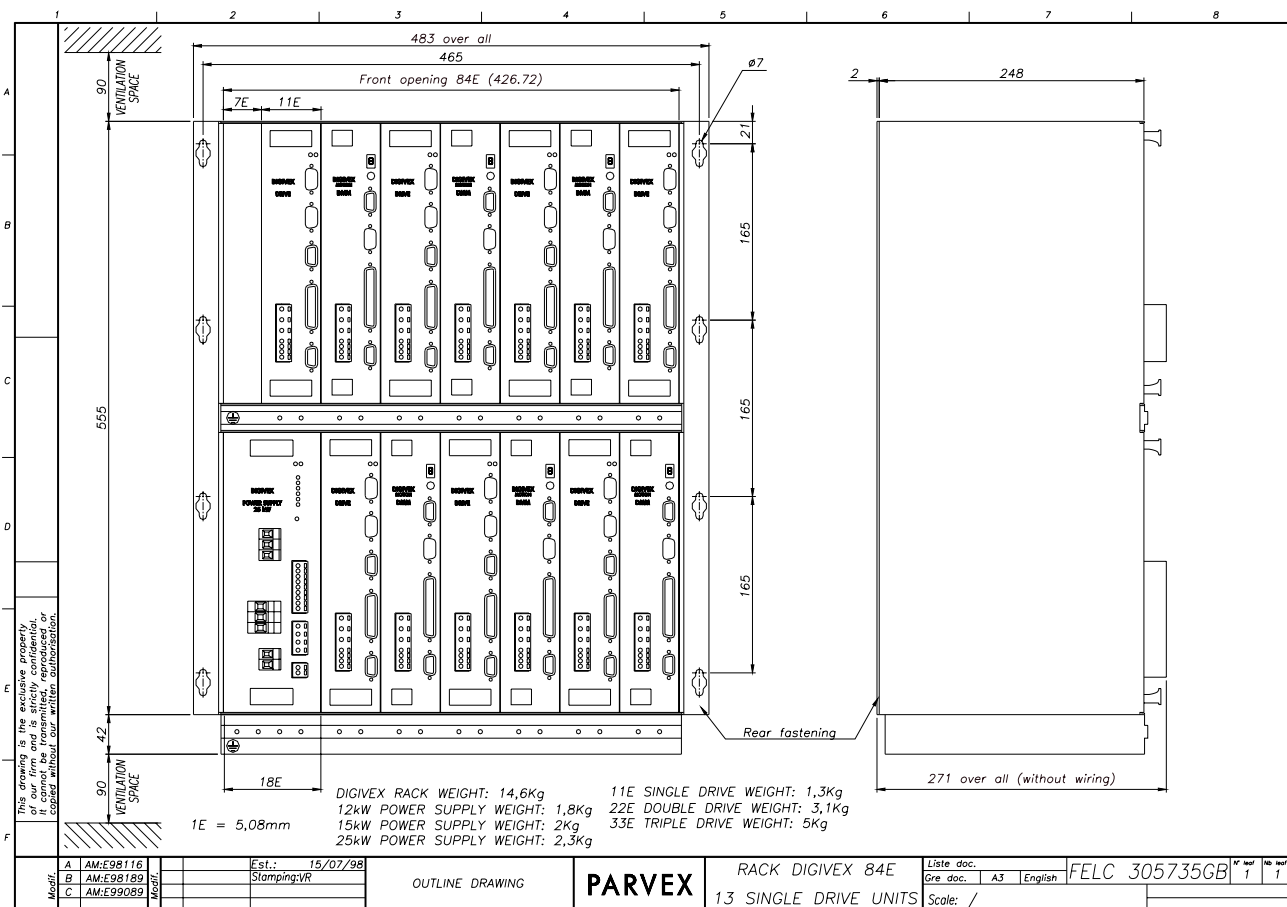
- Rack to accommodate six single format servoamplifier modules in addition to the POWER SUPPLY
- Half-rack to accommodate three single format servoamplifier modules in addition to the POWER SUPPLY.

For each size, the following three versions are available :

- Standard ventilation and internal braking energy dissipation resistor;
- Standard ventilation and external braking energy dissipation resistor;
- Compact ventilation and internal braking energy dissipation resistor (reserved for cases where all DIGIVEX DRIVES are less than or equal to 4/8 calibre).

The fans are powered by the low-level source from the POWER SUPPLY.

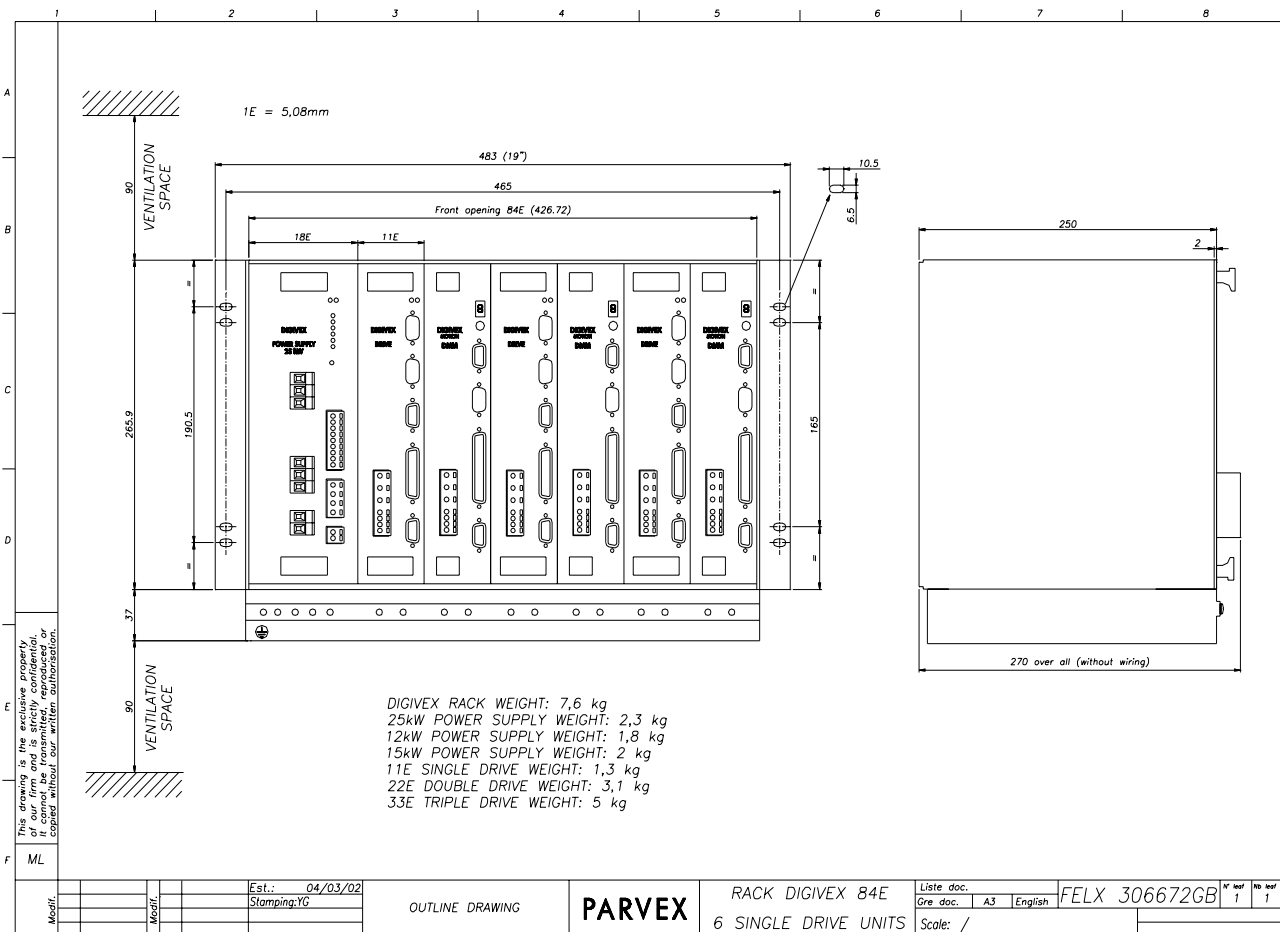
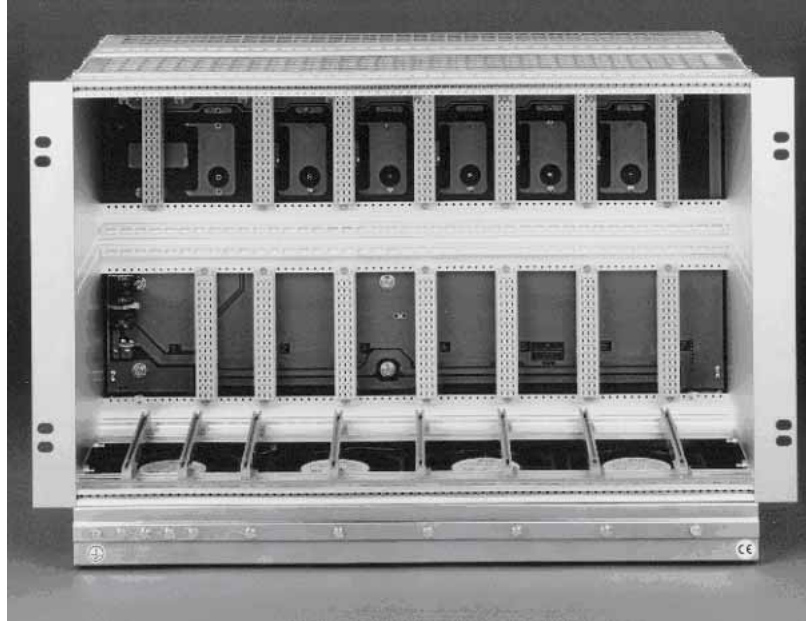
13 LOCATION SINGLE MODULE RACK



## Servoamplifier DIGIVEX Multi Motion (DMM)

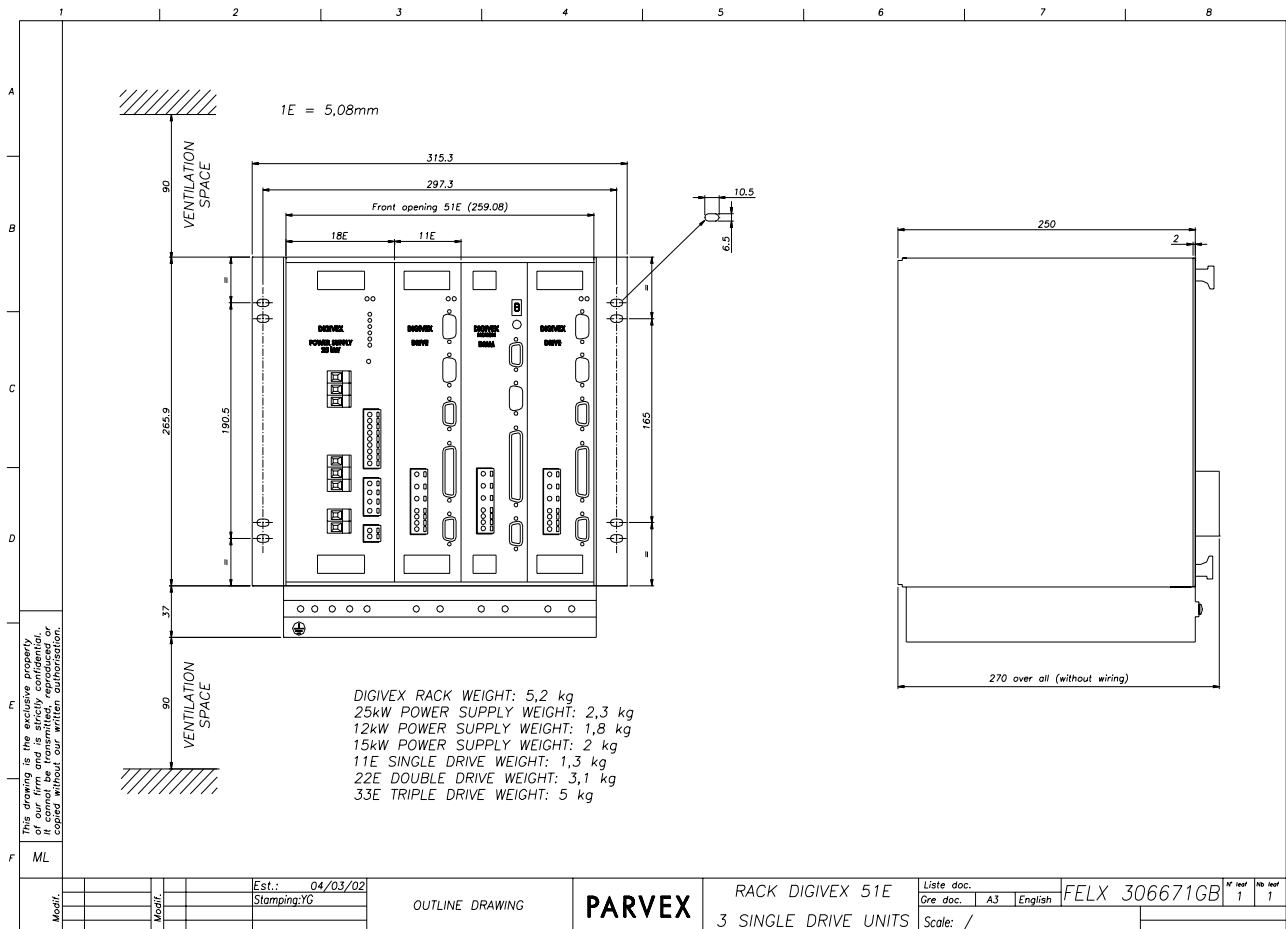
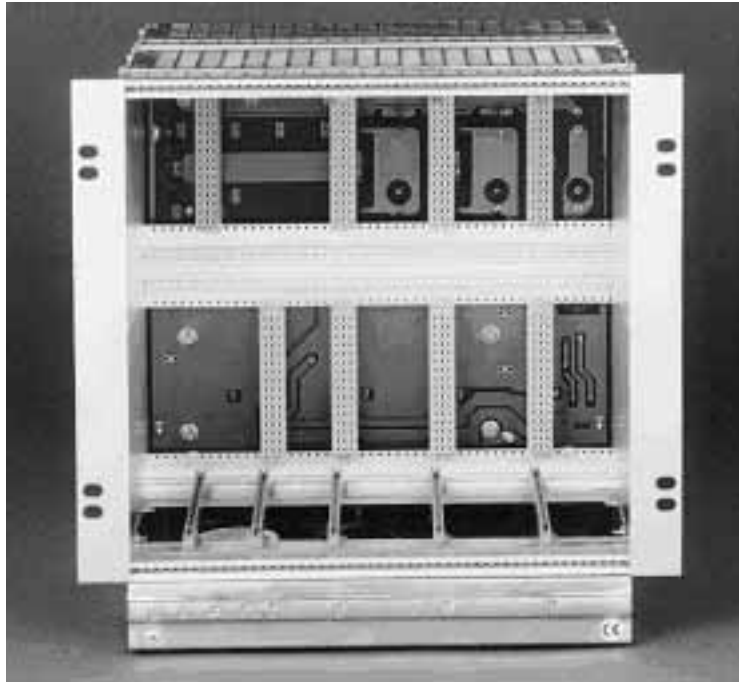
### 5.1.1 Rack and Power Supply

#### SIX LOCATION SINGLE MODULE RACK



## Servoamplifier DIGIVEX Multi Motion (DMM)

### THREE LOCATION SINGLE MODULE RACK



## Servoamplifier DIGIVEX Multi Motion (DMM)

### 5.1.2 DIGIVEX Drive

Double Europe format cards, available in three widths: single, double, triple module.

DIGIVEX Drive MODULE	2/4	4/8	8/16	16/ 32	32/64
	SINGLE	SINGLE	SINGLE	DOUBLE	TRIPLE

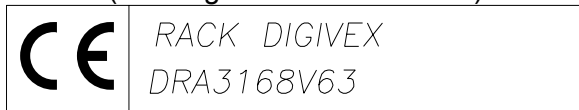
## 5.2 Labels, Codes

### 5.2.1 Racks

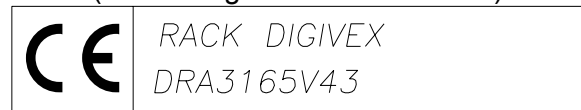
Two stickers are affixed to the right-hand side of the rack :

- One shows the serial number and date of manufacture.
- One is equivalent to the specimen stickers below :

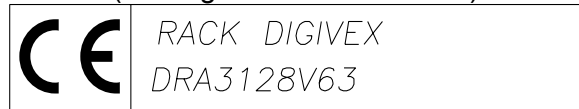
DIGIVEX 84E Rack Label  
(Six single-module locations)



DIGIVEX 51E Rack Label  
(Three single-module locations)



DIGIVEX 84E Rack Label  
(13 single-module locations)



Meaning of indications on labels :

- RACK DIGIVEX : Designation
- DRA .....: Rack Code

### Codes

84Ex2 Racks (13 single module locations)

CODE (rear fastening)	CODE (front fastening)	FUNCTION
DRA3128V63	DRA3128V63L	Standard ventilation and internal resistor
DRA3128L63	DRA3128L63L	Standard reduced ventilation and internal resistor resistor bus
DRA3128R43	DRA3128R43L	Standard ventilation and external resistor

84E Racks (6 single module locations)

CODE	FUNCTION
DRA3168V63	Standard ventilation and internal resistor
DRA3168V23	Standard reduced ventilation and internal resistor
DRA3168R43	Standard ventilation and external resistor

51E Racks (3 single module locations)

CODE	FUNCTION
DRA3165V43	Standard ventilation and internal resistor
DRA3165V23.	Standard reduced ventilation and internal resistor
DRA3165R23	Standard ventilation and external resistor

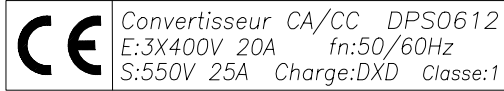
## Servoamplifier DIGIVEX Multi Motion (DMM)

### 5.2.2 Power Supply

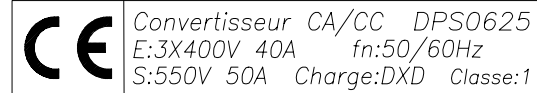
Two labels are fastened to the rear connectors of the DIGIVEX Power Supply module:

- ⇒ One shows the serial number and date of manufacture;
- ⇒ One is equivalent to the specimen stickers shown below

DIGIVEX Power Supply 12kW



DIGIVEX Power Supply 25 kW



Meaning of label indications :

- |   |   |
|---|---|
| <ul style="list-style-type: none"> <li>- Convertisseur CA/CC</li> <li>- DPS ----</li> <li>- E: 3 x 400 V --A</li> <li>- fn: 50/60 Hz</li> <li>- S: 550 V -- A</li> <li>- Charge: DXD</li> <li>- Class: 1</li> </ul> | <ul style="list-style-type: none"> <li>AC / DC converter</li> <li>DIGIVEX Power Supply code</li> <li>Input voltage and current</li> <li>Authorised frequency range</li> <li>Output voltage and current</li> <li>Type of load (DIGIVEX DRIVE module)</li> <li>Service class to standard EN 60146, 1 = permanent</li> </ul> |
|---|---|

Codes

DIGIVEX Power Supply

CODE	FUNCTION
DPS0612	12 kW DIGIVEX Power Supply
DPS0625	25 kW DIGIVEX Power Supply

EXTERNAL ENERGY DISSIPATION RESISTORS

CODE	FUNCTION
RE 91001	2000 W - 27 $\Omega$ resistor
RE 91002	4500 W - 12 $\Omega$ resistor
RE 90020	Pair of wall fastening resistor support

## Servoamplifier DIGIVEX Multi Motion (DMM)

### 5.2.3 DIGIVEX Drive

Markings affixed to appliance:

- Two labels are affixed to the rear connectors :
  - \* one showing the serial number and date of manufacture
  - \* one in accordance with the model below.



Meaning of label markings :

- Convertisseur CC/CA : DC/AC converter
- DXD---- : DIGIVEX Drive module code
- E: 550 V -- A : Input voltage and current
- Class : Service class to standard NF EN 60146, 1 = permanent
- S: 0-540V -- Â : Output voltage and permanent output current (peak Amp)

- One label on the front panel, on the handle, indicating :
  - \* DXD module serial number
  - \* DXD module code
  - \* one line for miscellaneous information
- One label on the EEPROM (subprint SZ 6608B)
  - \* DXD module code
  - \* corresponding motor
  - \* maximum speed (N max.) for a given reference (usually 10 V)
- One label on the EEPROM (marked U47) indicating the software reference (e.g. AP501V3).

The drive customized parameters are stored in this plug-in EEPROM memory. The parameters can be read by :

- ⇒ DIGIVEX - PC software
- ⇒ Display / parameter setting terminal (see following sections)

### Codes

CODE	FUNCTION
DMD06002-	DIGIVEX Drive axis module 2/4
DMD06004-	DIGIVEX Drive axis module 4/8
DMD06008-	DIGIVEX Drive axis module 8/16
DMD06016-	DIGIVEX Drive axis module 16/32
DMD06032-	DIGIVEX Drive axis module 32/64

DMMxxxxxC : DMM with CANopen fieldbus interface  
DMMxxxxxP : DMM with Profibus fieldbus interface

## Servoamplifier DIGIVEX Multi Motion (DMM)

---

### 5.3 Accessoires

---

#### 5.3.1 Mains filter

Mains filters: These filters are essential for compliance with protection currently required against interference (see especially the section on compliance with standards and wiring diagrams ). Dimensions are shown on drawing FELX 307020 and 304967 (see following pages).

#### 5.3.2 Inductors for long cable lengths with axis motor

Between motor and drive. See § 6.11.2 for choice. See FELX 302983 for dimensions (following pages).

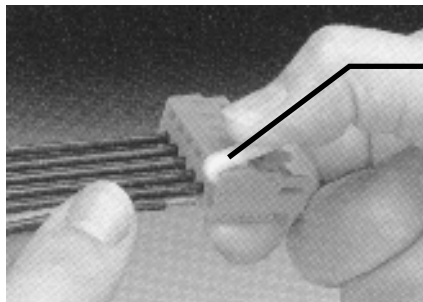
#### 5.3.3 External energy dissipation resistors

ENERGY DISSIPATION EXTERNAL RESISTOR (for DIGIVEX Power Supply 25 kW only)

- See Drawing FELX 404537 (next pages)

#### 5.3.4 Tool

Tool for connecting leads to spring-action terminal blocks (X1, X2, X3). This tool is systematically supplied with the equipment. Extra ones may be ordered as catalogue number Parvex PD 01077.

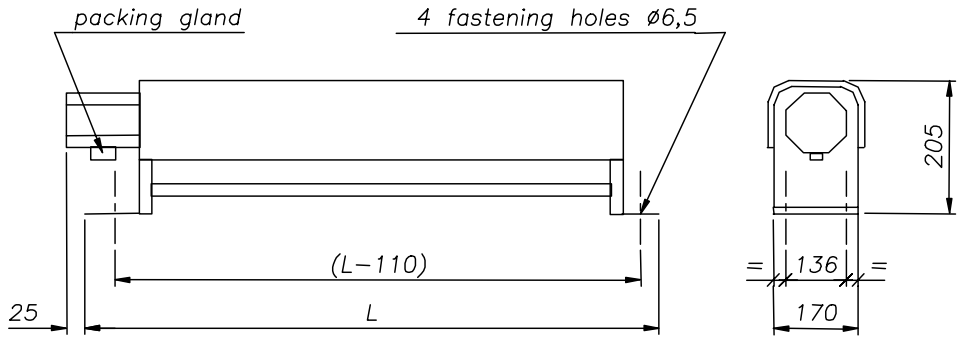


(tool) lever  
PD 01077



**Servoamplifier DIGIVEX Multi Motion (DMM)**

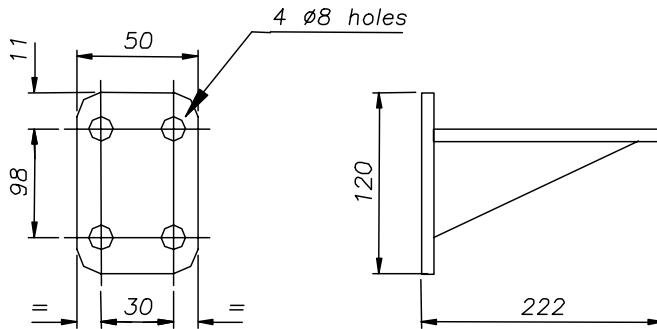
1	2	3	4
Position	Text		Identification number
	DIGIVEX		FELX 404537GB P1
	EXTERNAL RESISTOR		



Standard N°	Power (W)	R (Ω)	L (mm)
RE 91001	2000	27	620
RE 91002	4500	12	1195

Connection in IP55 sealed terminal box with packing gland.  
 Weight (kg) : 1 + 9,2L(m)

RE 90020



Pair of wall consoles  
 Weight : 0,9kG

**RECOMMENDATION:**  
 These resistors must be used horizontally, fixed to the ground or to wall consoles, with nothing liable to impede natural convection.

This drawing is the exclusive property of our firm and is strictly confidential. It cannot be transmitted, reproduced or copied without our writing authorization.

Service	Drawing	26/07/95	JP	Stamping			Order of execution	ML
Modifications	A	AM:E98026 - 20/02/98 - VR				Scale	Replacing	
						1	Separate nomenclature of Nbe dif.	
							Separate nomenclature of same Nbr	
<b>PARVEX</b>	DIGIVEX		SIZE		Family			
	EXTERNAL RESISTOR		A4		LEAF N° 1 Nb 1			
				FELX 404537GB				



# Servoamplifier DIGIVEX Multi Motion (DMM)

Position		Text	
		Identification number	
		MAINS FILTER 3 ph	FELX 304967GB P.
		OUTLINE DIMENSIONS	
		Weight	

\* permissible section

$U_{in} : 440 \text{ Vac } 50/60\text{Hz}$   
 $T_a : 40^\circ\text{C}$   
 Norm : EN 133200

Pos.	Standard Nr	Current	Dimensions	* Section	Weight	
			A	B		
1	FR 03016	16A	241	201	4mm <sup>2</sup>	3Kg
2	FR 03036	36A	251	201	10mm <sup>2</sup>	3Kg
3	FR 03064	64A	308	231	25mm <sup>2</sup>	4Kg

Dimensions in mm

Standard Nr	Max. leakage current (50/60Hz) in mA	three-phase operation	unbalanced operation (start-up)
FR 03016	10	30	30
FR 03036	3	200	200
FR 03064	3	170	170

Service	Drawing	26/06/96	LR	Stamping	ML
	A AME97016 - 22/01/97 - LR		D AME98056 - 12/05/98 - VR		
	B AME97162 - 20/11/97 - VR		E AME98175 - 09/11/98 - VR		
	C AME98035 - 11/03/98 - VR				
Modifications					
Scale					
Replacing					
Separate nomenclature of Nbe dif.					
Separate nomenclature of same Nbr					
Family					
SIZE					
A3					
LEAF N°: 1 Nbr: 1					
FELX 304967GB					

**PARVEX**

MAINS FILTER 3 ph

OUTLINE DIMENSIONS

This drawing is the exclusive property of our firm and is strictly confidential. It cannot be transmitted, reproduced or copied without our written authorisation.

# Servoamplifier DIGIVEX Multi Motion (DMM)

Position	Text	Identification number	Weight
	THREE PHASE CHOKE DIMENSIONS	FELX 302983GB	

Connection area , Dia M

No	Standard	Ct norm.	Choke norm.	A	B	C	H	H#	Fixing axb	D	connection area	M	Weight
SF	02025	26A	850uH	150	95	110	/	135	112x80	6	# 6mm2	/	4,5kg
SF	02026	65A	340uH	175	95	95	165	180	53x68	6,5	16x16	6,5	9Kg
SF	02027	118A	190uH	290	116	135	210	/	230x100	8	20x20	9	13Kg
SF	02028	17A	1,3mH	160	95	/	/	115	112x71	6	# 6mm2	/	4,2Kg
SF	02029	91A	245uH	220	135	160	160	/	166x114	6	20x20	9	15Kg
SF	02030	170A	130uH	235	120	165	240	/	185x100	9	25x28	11	19Kg
SF	02032	7,5A	400uH	132	75	85	/	103	94x55	6x10	# 4mm2	/	1,9Kg

The dimensions are in mm

# TERMINAL BLOCK CONNECTION

Service	Drawing	05/02/91	FM	Stamping	ML
A	17/12/92 - A/OUT SF 02032				
B	24/02/97 - MISE A JOUR				
C	AME98035 - 11/03/98 - VR				

Order of Execution	Scale	Repeating	Separate nomenclature of lbe diff.	Separate nomenclature of same lbe	Family
	/				
SIZE	A3	LEAF	N° 1	Nb 1	FELX 302983GB

## 6. ELECTRICAL CONNECTIONS

### 6.1 General Wiring Requirements

---

#### 6.1.1 Appliance handling

See the safety instructions given at the beginning of this manual. In particular, wait for all the front panel LEDs to go off completely before doing any work on the servo-amplifier or servomotor.

Do not remove or fit the modules while the power is on.

While the power is on do not connect or disconnect :

- the power connectors.
- the resolver and encoder emulation connections.

#### 6.1.2 Electromagnetic compatibility

##### EARTHING

- Comply with all local safety regulations concerning earthing.
- Utilize a metal surface as an earth reference plane (e.g. cabinet wall or assembly grid). This conducting surface is termed the potential reference plate. All the equipment of an electrical drive system is connected up to this potential reference plate by a low impedance (or short distance) link. Ensure the connections provide good electrical conduction by scraping off any surface paint and using fan washers. The drive will then be earthed via a low impedance link between the potential reference plate and the earth screw at the back of the DSM. If this link exceeds 30 cm, a flat braid should be used instead of a conventional lead.

##### CONNECTIONS

- Do not run low-level cables (resolver, inputs/outputs, NC or PC links) alongside what are termed power cables (power supply or motor). Do not run the power supply cable and the motor cables alongside one another otherwise mains filter attenuation will be lost. These cables should be spaced at least 10 cm apart and should never cross, or only at right-angles.
- Except for the resolver signals, all low-level signals will be shielded with the shielding connected at both ends. At the DSM end, the shielding is made continuous by the Sub-D connector mechanism.
- The motor cables are limited to the minimum functional length. The yellow and green motor cable lead must be connected to the box or front panel terminal block with the shortest possible link.
- This usually means shielded motor cable is not required. Chokes may also be inserted into the motor phase leads.

## Servoamplifier DIGIVEX Multi Motion (DMM)

---

### MAINS FILTERING

The equipment complies with standard EN55011 with a filter on the power input with minimum 60 dB attenuation in the 150 kHz - 30 MHz range.

The mains filter must be mounted as close as possible to the potential reference plate between the mains and the DSM power supply. Use shielded cable (or run the cable in metal trunking). Avoid running cables together, ahead of and after the filter.

Filters sometimes have high leakage currents. In this case, comply with the standard connection diagrams when fitting them.

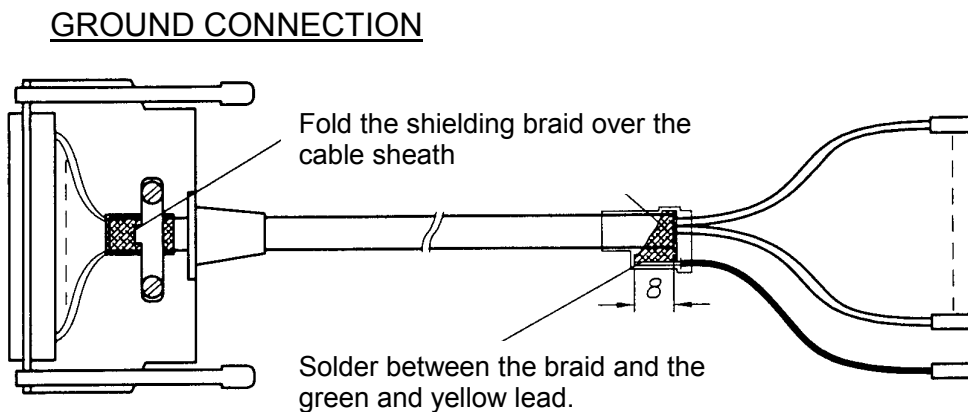
### OTHER MEASURES

Self-inducting components must be protected against interference: brakes, contactor or relay coils, fans, electro-magnets, etc.

### 6.1.3 DIGIVEX MOTION Sub-D connectors

In order to ensure the system is free from disturbances, it is essential for the rack to be properly connected to the earth plane of the electrical cabinet and for the covers of the Sub-D connectors to be EMI/RFI shielded (metal with shielding braid connection).

Make sure the Sub-D connectors and their covers are properly connected (lock screws fully tight).

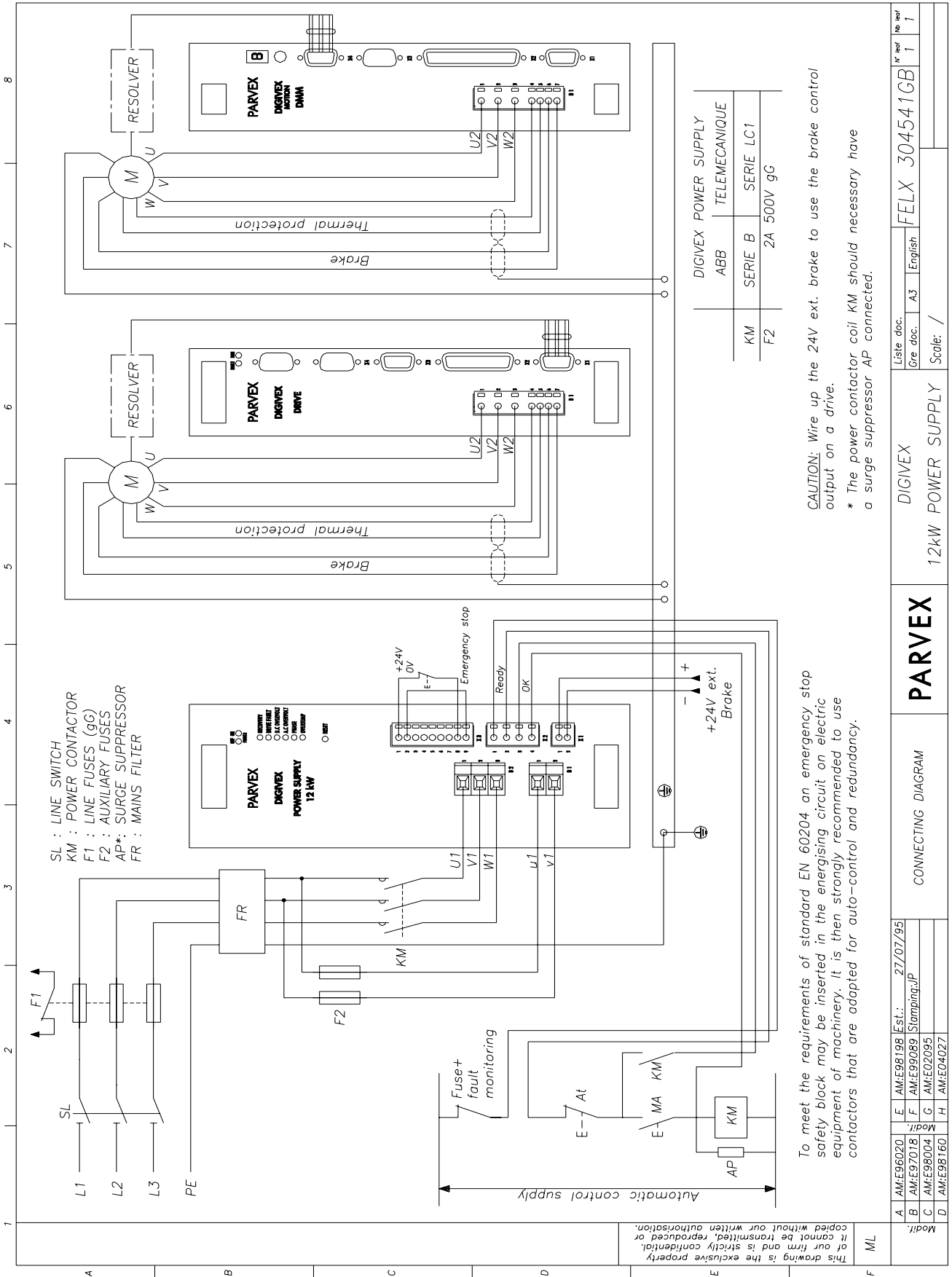


## 6.2 Typical Connection Diagram

---

See drawings FELX 304541GB and FELX 304557GB below.

# Servoamplifier DIGIVEX Multi Motion (DMM)



Modif:		Est.:		27/07/95	
A	AM:E96020	E	AM:E98198	Stamping,JP	
B	AM:E97018	F	AM:E99089		
C	AM:E98004	G	AM:E02095		
D	AM:E98160	H	AM:E04027		
CONNECTING DIAGRAM			PARVEX		
12kW POWER SUPPLY			DIGIVEX		
Scale: /			Gre doc.: A3 English		
Liste doc.:			No ref: 1		
No ref: 1			No ref: 1		
FELX 304541GB					





## Servoamplifier DIGIVEX Multi Motion (DMM)

---

### 6.2.1 Surge Suppressor

- KM: Power Contactor
- AP: Surge Suppressor

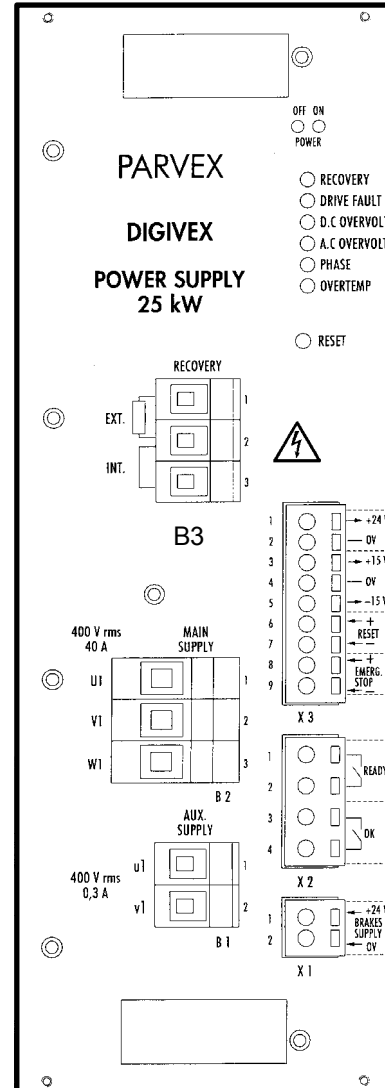
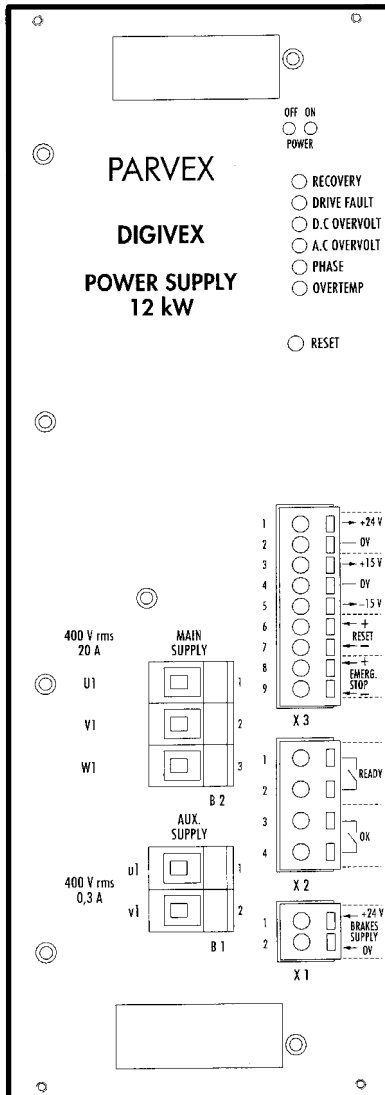
The power contactor coil KM should **necessary** have a surge suppressor AP connected in order not to destroy prematurely the internal relay contact of the drive. This module should be use whether the power contactor supply is AC or DC.

The relay manufacturers (Telemecanique: LC1 series, ABB: B series,...) provide surge suppressors fitted relays wether the power contactor supply is AC or DC for various voltages (RC module, Diode+Zener Diode, Varistor,...).

## Servoamplifier DIGIVEX Multi Motion (DMM)

### 6.3 Power Supply connection

#### 6.3.1 Front panel terminal blocks



All the connections are brought to the front panel :

- B1 : "Auxiliary" power supply (low level)
- B2 : Mains input
- B3 (on 25 kW DIGIVEX Power Supply): external resistor
- X1 : 24V power supply for brake
- X2 : main contactor automatic control interface
- X3 : 24V, +/-15V outputs, Reset and zero speed setting

## Servoamplifier DIGIVEX Multi Motion (DMM)

### 6.3.2 Terminal block characteristics

Recap showing for terminal blocks B1, B2, B3, X1, X2 and X3 (DIGIVEX Power Supply) :

- terminal type.
- maximum permissible cable cross-section (S) for the terminal block.
- recommended torque value (T) for the terminal block.

TERMINAL	12 kW POWER SUPPLY	25 kW POWER SUPPLY
B1	screw-type, S = 4 mm <sup>2</sup> flexible wire S = 6 mm <sup>2</sup> rigid wire, T = 0.8 Nm	screw-type, S = 4 mm <sup>2</sup> flexible wire S = 6 mm <sup>2</sup> rigid wire, T = 0.8 Nm
B2	screw-type, S = 6 mm <sup>2</sup> flexible wire S = 10 mm <sup>2</sup> rigid wire, T = 1.8 Nm	screw-type, S = 6 mm <sup>2</sup> flexible wire S = 10 mm <sup>2</sup> rigid wire, T = 1.8 Nm
B3	-	screw-type, S = 4 mm <sup>2</sup> flexible wire S = 6 mm <sup>2</sup> rigid wire, T = 0.8 Nm
X1 à X3	spring-type, S = 2.5 mm≤	spring-type, S = 2.5 mm≤

### 6.3.3 Power component dimensions

Applicable to components ahead of the DIGIVEX POWER SUPPLY (fuses, cables, contactor, etc.), dimensions depend on :

- permanent currents (sinusoidal peak) at low speed of each motor as shown in characteristics ( $\hat{I}_0$ ).
- the drive simultaneity coefficient.

Supposing this coefficient is equal to 1 and  $\cos\varphi=1$ , gives :

$$P_{\text{ mains }} \cong 1.1 U_{\text{ rms }} \Sigma \hat{I}_0$$

$$I_{\text{ rms mains }} = \frac{P}{U_{\text{ rms }} \cdot \sqrt{3}}$$

MAINS INPUT POWER 400 V kW	$\Sigma \hat{I}_0$ A	LINE CURRENT for mains $U_{\text{ rms }} = 400$ V A eff.	FUSE RATING Type gG	MAINS FILTER " Book-Sized "	MAINS FILTER
4.4	10	6.5	10	FR03616	FR03016
6.6	15	9.5	16		
13.2	30	19	32	FR03636	FR03036
24.2	55	36	50/63		

The cable cross-section and contactor rating must be selected accordingly.

## Servoamplifier DIGIVEX Multi Motion (DMM)

---

### 6.3.4 Connection to mains

#### Terminal block B2.

400 V rms three-phase mains supply via terminal block B2 : **terminals U1 - V1 - W1**  
Single-phase operations possible (downgraded mode, please ask for details).

### 6.3.5 Low-Level and Auxiliary Supply

#### Terminal block B1.

Each DIGIVEX Drive derives its low-level supply from a low-level supply bus and restores the  $\pm 15 \text{ V} / 5 \text{ V}$  it requires through a chopper supply and transformer.

The « low-level supply » bus, whose voltage is between 200 V and 750 V, may be obtained in either of two ways :

⇒ either via terminal block B1, from a single-phase source, which may be :

- 400 V single-phase, from 48 to 62 Hz between two phases ahead of the main switch;
- a separate 400 V source. In this case **a 200 VA isolating transformer must be provided** (e.g. primary 230 V  $\pm 10\%$ , secondary 400 V  $\pm 10\%$ )

The advantage with these solutions is that the power part can be cut out separately while the LED fault display and the encoder emulation counting capability are maintained.

⇒ Or from the power bus. In this case only terminal block B2 need be connected.

**Drawback** : If power fails, regulation supply and above all any encoder emulation card information is lost.

Internal fuse :

- Marked F1, protects the chopped supply : type 500V / 1.6A

Auxiliary supply monitoring, supply present.

- Auxiliary supply also provides 24 V dc for the rack fans, and the rack is therefore fan-cooled as long as the low-level supply is maintained.

Low-level consumption: 30 W.

## Servoamplifier DIGIVEX Multi Motion (DMM)

---

### 6.3.6 External Energy Dissipation Resistor

For 25 kW DIGIVEX POWER SUPPLY with external resistor option :

- No link between terminals 2 and 3 of terminal block B3.
- The resistor is connected between terminal 2 and 3 of terminal block B3.

Maximum current in cable :

- With RE 91001 (2 000 W) : 30 A
- With RE 91002 (4 500 W) : 60 A

Cable type: unshielded, cross-section 2.5 mm<sup>2</sup> for 2 000 W, 4 mm<sup>2</sup> for 4 500 W.

Maximum recommended distance : 10 m.

Resistor end: connection by terminal box through packing gland PG 16 for 10 mm - 14 mm diameter cable.

### 6.3.7 Control signal connection (terminal Blocks X2 and X3)

Plug-in terminals

TERMINAL BLOCK X2		
1 - 2	Output	« READY » contact
3 - 4	Output	« OK » contact
Potential free contacts Max. U = 250 V I = 1A Cut-out power = 250 VA (ohmic load)		

#### - X2/1.2 : Ready Contact

The contact is closed if :

- the auxiliary bus (low-level) is correct, >290 V dc on powering up,
- at least one drive is in the rack,
- drives signalled no faults when low-level supplies appeared.

This contact authorises the main switch to be closed

- the red POWER OFF LED glows.

## Servoamplifier DIGIVEX Multi Motion (DMM)

---

### - X2/3.4 : OK Contact

The contact is closed if :

- AUX. supply is correct,
- power supply is present (>200 V dc)
- the low-level and power drives signal no faults.

The contact authorises the main switch to be self-maintained

- the green POWER ON LED glows.

**CAUTION :** Opening the OK contact must cause the main contactor to open with a max 100 ms delay.

TERMINAL BLOCK X3		
1	Output	24 V regulated
2	Output	0V of 24 V
3	Output	15 V regulated
4	Output	0 V of $\pm 15$ V
5	Output	-15 V regulated
6	Input	+ Reset
7	Input	- Reset
8	Input	+ Emergency Stop
9	Input	- Emergency

### - X3/1 24 V regulated

### - X3/2 0 V of 24 V

- Max. 24 V - 50 mA power supply. **Do not use for brake supply.**
- Protection against overloads and short circuits by resettable fuse.

This supply is for logic inputs but is also used internally for the fan power supply. There is no common point with the metal case.

### - X3/3 +15 V regulated

### -X3/4 0 V of 15 V

### - X3/5 -15 V regulated

- max.  $\pm 15$  V - 10 mA power supply.
- Protected by 47  $\Omega$  resistor.

This supply is common with the internal supply of the POWER SUPPLY module. There is no common point with the metal casing.

## Servoamplifier DIGIVEX Multi Motion (DMM)

---

### - X3/6 to X3/9 Logic inputs

Common characteristics:

- 24 V dc optocoupled inputs (insulation voltage 1 kV)
- type two inputs to IEC 1131-2.

These inputs may be connected directly to PNP type outputs (external load resistor not required).

	MIN.	TYPICAL	MAX.
Level 0 input voltage	-	0V	5V
Level 1 input voltage	11V	24V	30V
Level 0 input current	-	0mA	2mA
Level 1 input current	7mA	13mA	15mA
Response time Ton (0 to 1)	-	1ms	-
Response time Toff (1 to 0)	-	1ms	-

- X3/6      **Reset +      (24V DC logic input)**  
- X3/7      **Reset -      (0V)**

A 24 V rising edge applied across X3/6 compared with X3/7 resets the system after a power supply or drive fault (clear).

Note that the front panel reset button can also be used, or turning off the power completely (power and auxiliaries).

This control has no effect during normal operation.

### - X3/8 and X3/9      **Emergency Stop , in speed loop mode only**

A 24 V source must be applied between terminals X3/8 (+) and X3/9 (-) to enable drive operation: the 24 V may be taken from X3 terminals 1 and 2.

The collapse of 24 V across terminals X3/8 and X3/9 acts on all the drives causing dynamic braking. This is an aid for category 1 or 2 stops to standard EN 60204.

## 6.3.8 Terminal Block X1 "Brake Supply"

Plug-in terminal block.

This terminal block can accommodate a 24 V power supply for brakes fitted to motors. It is redistributed by the drives to the motor power terminal blocks.

Regulated / filtered 24 V  $\pm$  10% voltage - Overload protection by 26 Joule varistance. This protection is operational from 30 V.

## Servoamplifier DIGIVEX Multi Motion (DMM)

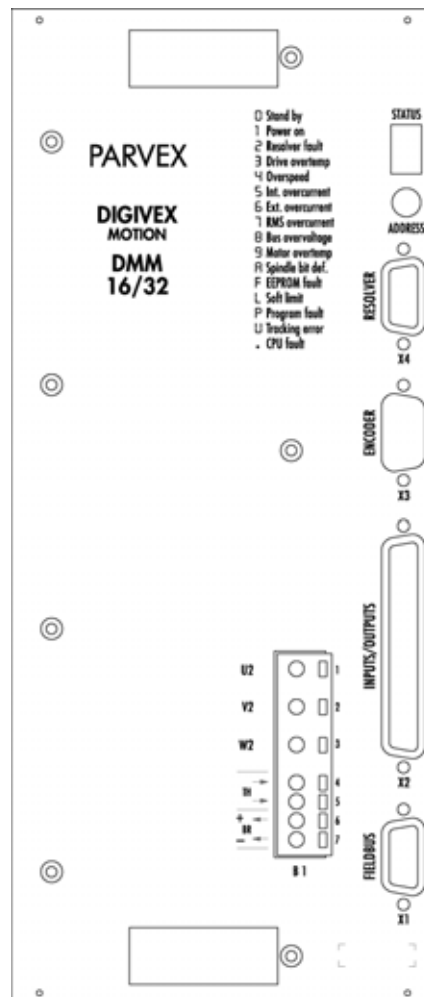
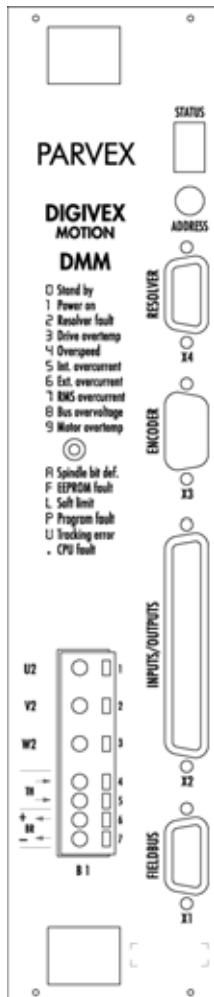
# 6.4 DIGIVEX Drive connection

## 6.4.1 Front panel terminal blocks

### 6.4.1.1 DIGIVEX Drive calibres 2/4, 4/8, 8/16 and 16/32

#### Terminal Blocks B1 : Power, Thermal Protection and Brake

- One plug-in terminal block B1 comprising :
  - ◆ terminals 1, 2 and 3 marked U2, V2 and W2 for power.
  - ◆ terminals 4 and 5 for motor thermal protection (TH) input (current less than 3 mA).
  - ◆ terminals 6 and 7, 24 V for brake supply (BR).



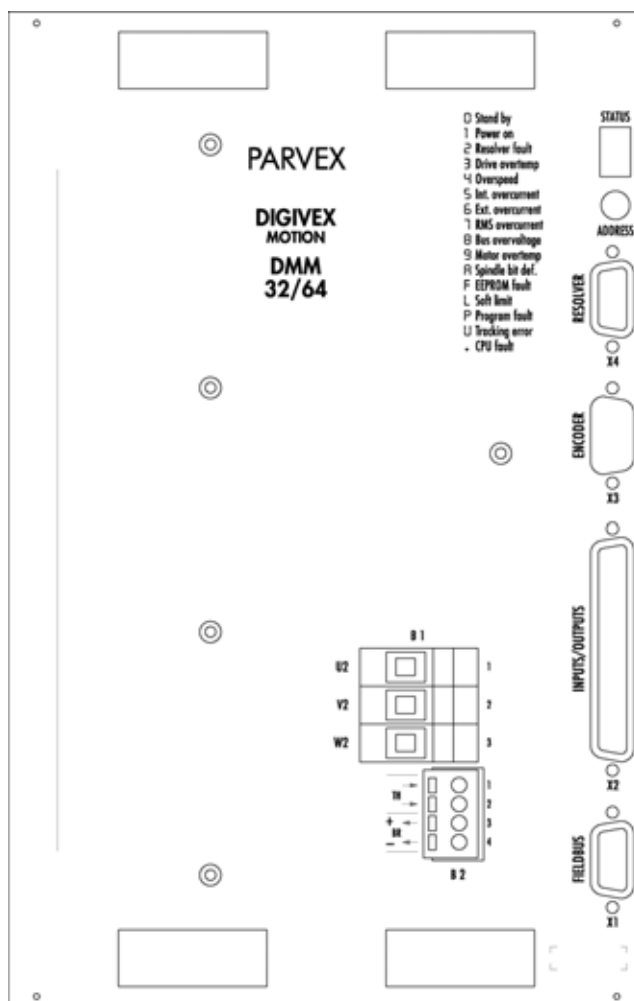


## Servoamplifier DIGIVEX Multi Motion (DMM)

### 6.4.1.2 DIGIVEX Drive calibre 32/64

#### Terminal Blocks B1/B2: Power, Thermal Protection and Brake

- One fixed terminal block B1 (screw terminals), terminals 1, 2 and 3 (U2, V2, W2) for power.
- One plug-in terminal block B2 comprising :
  - ◆ terminals 1 and 2 for motor thermal protection (TH) input (current less than 3 mA).
  - ◆ terminals 3 and 4 (marked Br+ and -) 24 V for braking supply (BR).



## Servoamplifier DIGIVEX Multi Motion (DMM)

### 6.4.2 Terminal block characteristics

Recap showing for terminal blocks B1, B2, B3, X1, X2 and X3 (DIGIVEX Power Supply) :

- terminal type.
- maximum permissible cable cross-section (S) for the terminal block.
- recommended torque value (T) for the terminal block.

TERMINAL	12 kW POWER SUPPLY	25 kW POWER SUPPLY
B1	screw-type, S = 4 mm <sup>2</sup> flexible wire S = 6 mm <sup>2</sup> rigid wire, T = 0.8 Nm	screw-type, S = 4 mm <sup>2</sup> flexible wire S = 6 mm <sup>2</sup> rigid wire, T = 0.8 Nm
B2	screw-type, S = 6 mm <sup>2</sup> flexible wire S = 10 mm <sup>2</sup> rigid wire, T = 1.8 Nm	screw-type, S = 6 mm <sup>2</sup> flexible wire S = 10 mm <sup>2</sup> rigid wire, T = 1.8 Nm

Connectors with metal-plated or metallic covers.

ITEM REF.	CONNECTOR TYPE (cable end)	FUNCTION	MAX. CONDUCTOR CROSS-SECTION
X1 FIELDBUS	9-pin plug for soldering	Fieldbus connection	max. 0.5 mm <sup>2</sup> on soldering barrel
X2 INPUTS/ OUTPUTS	37-pin plug for soldering	Logic and analog inputs / output	max. 0.5 mm <sup>2</sup> on soldering barrel
X3 ENCODER	9-pin plug if encoder emulator output	Encoder emulation output (option)	max. 0.5 mm <sup>2</sup> on soldering barrel
	9-pin socket for soldering	Incremental encoder input	
X4 RESOLVER	9-pin socket for soldering	Resolver link	max. 0.5 mm <sup>2</sup> on soldering barrel

The motor earth is to be connected to the Faston earth lug on the appliance. The SUB-D plugs used must be metal-coated (or metal) and provide continuous shielding through to the appliance's metal earth.

### 6.4.3 Description of 7-segment display and LEDs

A 7-segment "STATUS" display shows the drive operating status.  
Fault descriptions are given in Section 7.3.

### 6.4.4 Rotary mini-switch setting (ADDRESS)

Each appliance in the same network CAN or Profibus must have a different subscriber number.

A rotating, 16-position, mini-switch is used to define the number of the appliance.

## Servoamplifier DIGIVEX Multi Motion (DMM)

---

For information:

0	Prohibited
1	1*
2	2*
3	3
.	.
.	.
.	.
A	10
B	11
C	12
D	13
E	14
F	15

\* The "1" and "2" addresses are prohibited to the Profibus bus

The subscriber code may be extended. Please ask for details.

**Attention!** For a subscriber number change to be acknowledged, the appliance must be switched off completely for a few seconds.

## 6.5 Motor connection

---

### 6.5.1 Motor Power connection

There are two possibilities for connection:

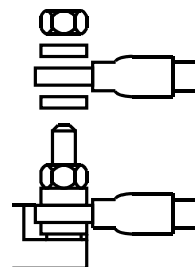
- Terminal block + resolver connector.
- Power connector + resolver connector.

### 6.5.2 Terminal block connection

For the terminal block, the clamping nuts and washer come in a bag

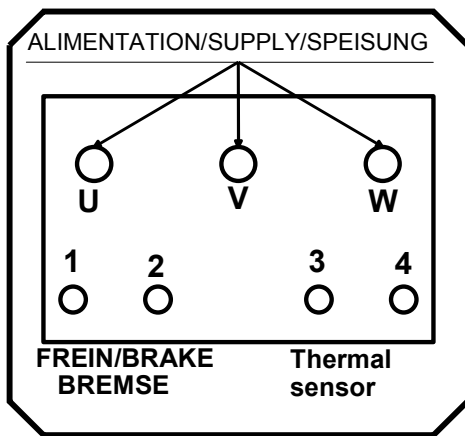
Take care when fitting the lugs not to loosen the connecting leads between the motor and the terminal block.

The power connection lugs are to be inserted between the striated washer and the flat washer.



## Servoamplifier DIGIVEX Multi Motion (DMM)

**Motor direction of rotation:** by wiring as recommended, a positive set point applied to the drive entails clockwise rotation (viewed from the power shaft end).



U Phase U

V Phase V

W Phase W

1 Optional brake +24 V

cable  $\geq 1\text{mm}^2$

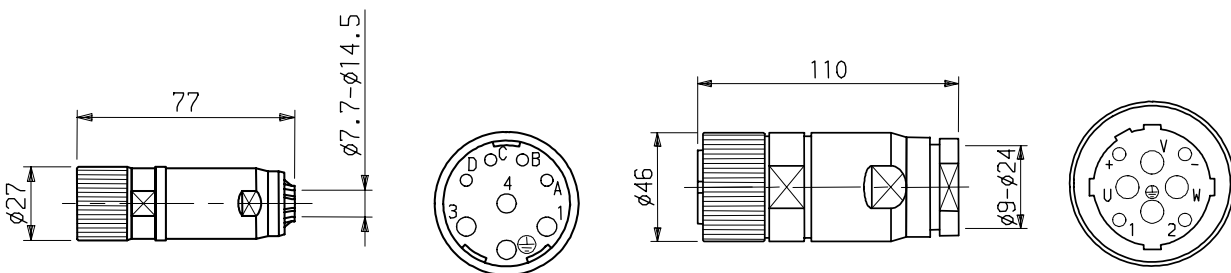
2 Optional brake 0 V

3 Thermal sensor

cable  $\geq 1\text{mm}^2$

4 Thermal sensor

### 6.5.3 Power connector connection



PLUG 220065R1610/1611

PLUG 220065R3610/3611

#### PERMISSIBLE CABLE CROSS-SECTION FOR PLUGS

PLUG 220065R1610: Power & Ground: 0.14 - 1.5 mm<sup>2</sup>. Brake & thermal protection: 0.14 - 1 mm<sup>2</sup>.

PLUG 220065R1611: Power & Ground: 0.75 - 2.5 mm<sup>2</sup>. Brake & thermal protection: 0.14 - 1 mm<sup>2</sup>.

PLUG 220065R3611: Power & Ground: 1.5 - 4 mm<sup>2</sup>. Brake & thermal protection: 1 - 2.5 mm<sup>2</sup>.

PLUG 220065R3610: Power & Ground: 6 - 16 mm<sup>2</sup>. Brake & thermal protection: 1 - 2.5 mm<sup>2</sup>.

## Servoamplifier DIGIVEX Multi Motion (DMM)

FUNCTION	PIN OUT		CABLE COLOUR
	220065R1610/R1611	220065R3610	
BRAKE +	A	+	Green/Rred
BRAKE -	B	-	Green/Blue
THERMAL PROT.	C	1	Orange
THERMAL PROT.	D	2	Yellow
GROUND	2	⊕	Green/Yellow
U <sub>2</sub>	1	U	Black
V <sub>2</sub>	4	V	White
W <sub>2</sub>	3	W	Red
Shielding to be connected to the earth at the servoamplifier end ⊕			Green/Orange

### 6.5.4 "POWER" Cable Definition

The power/drive connector cables must have as a minimum requirement :

- Three insulated conductors connected to U, V, W phases. Cross-sections as in the table below. The internal chokes of the DIGIVEX Drive mean that, as a general rule, there is no need to use shielding on the three power conductors.
- one ground conductor (green/yellow).
- two shielded twisted pairs for connection of the motor thermal protection. Cross-section of about 1 mm<sup>2</sup>.
- two shielded twisted pairs for connection of the holding brake (if fitted). Cross-section of about 1 mm<sup>2</sup>.
- 1 " shielding continuity " conductor (green/orange) to be connected to the servoamplifier earth ⊕

#### Power cable cross-section

Cable cross-sections shown in the table below make allowance for :

- rated drive current;
- motor/drive distance, loss in useful voltage = RI.
- ambient temperature, cable loss of Joules = RI<sup>2</sup>.
- standardised increase of cable cross-sections.

PARVEX proposes cables for distance of up to 50 m and ambient temperatures of less than 40° C.

Distance →	0m	50m	100m	200m
DIGIVEX Calibre	Cable cross-section in mm <sup>2</sup>			
2/4 and 4/8	0.5	1	2.5	
8/16	1	2.5	6*	
16/32	2.5	6*	10*	
32/64	6	10*	16*	

\* Cross-sections incompatible with DIGIVEX DRIVE power terminal blocks (See § 3.4.2).  
Fit an intermediate terminal block close to the DIGIVEX DRIVE.

## Servoamplifier DIGIVEX Multi Motion (DMM)

### Power Connection

List of power cables, power connectors, and equipped cables for NX, H or L series motors

MOTOR	Cable cross-section (mm <sup>2</sup> )	Power Câble	Power Plug (1)	Equipped Cable
<b>NX1-NX2</b> Molex connector	1	6537P0023	220004R1000	220154R12xx
<b>NX1-NX2</b> Heavy-duty connector	1	6537P0023	220065R1610	220154R32xx
<b>NX3-NX4-NX6-NX8</b>	0,5	6537P0019	220065R1610	220049R49xx
<b>HX2-HX3-HX4</b>	1	6537P0009	220065R1610	220049R42xx
<b>LX2-LX3-LX4</b>	2,5	6537P0010	220065R1611	220049R43xx
<b>HS-HD-HX6/HS8</b>				
<b>LS-LD-LX6/LS8</b>				
<b>HD-HX-HV8</b>	2,5	6537P0010	220065R3611	220049R48xx
<b>LD-LX-LV8</b>	6	6537P0011	220065R3610	220049R45xx
<b>HS9</b>	10	6537P0012	220065R3610	220049R46xx
<b>LS9</b>	16	6537P0013	220065R3610	220049R47xx
<b>HD-HV9</b>				
<b>LD-LV9</b>				
<b>HXA-HVA</b>				
<b>All HW et LV</b>	25	6537P0014	-	-
<b>HD-HV1000</b>				
<b>LD-LV1000</b>				

Length 5 m / 10 m / 15 m / 25 m / 50 m. Add the length in metres to the cable product number.

(1) Option for L and H motors

For more détails, see the "user and commissioning" manuals of motors :

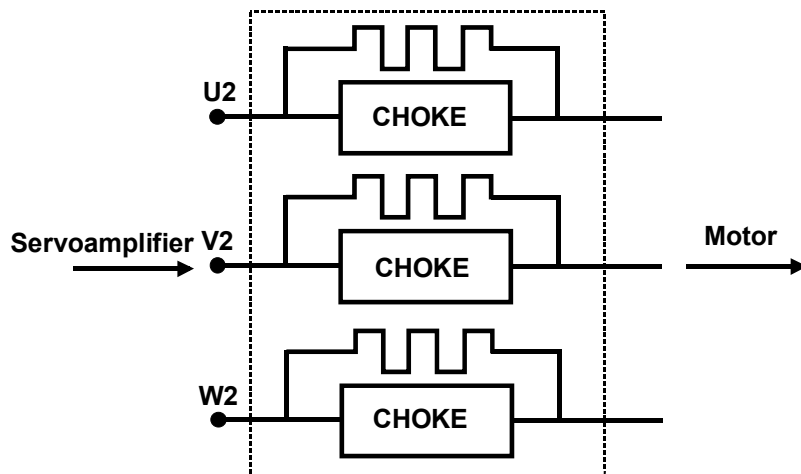
PVD3407 : LX-LS-LD-HD  
 PVD3490 : HX-HS-HD-HV  
 PVD3535 : NX

## Servoamplifier DIGIVEX Multi Motion (DMM)

### 6.5.5 Guidelines for use of inductors and resistors for long cables between the motor and drive

The inductors and, where necessary, the resistors are to be fitted between the DIGIVEX Multi Motion (as close as possible to the drive) and the motor when used with long cable lengths.

N.B. It is not recommended to use chokes for driving HV or HW spindle motors.  
 Please ask the manufacturer about such cases.



References of inductors (Dimensions : see § 3.5.5)

	Cable length (L)	Normal	L ≤ 20 m	20 < L < 30 m	30 ≤ L < 70 m	70 ≤ L < 100 m
		Shielded	L ≤ 15 m	15 < L < 20 m	20 ≤ L < 50 m	50 ≤ L < 70 m
DIGIVEX Multi Motion	2/4 – 4/8	-	-	DSF02 Freq* : 8kHz	DSF02 Freq* : 4kHz	Not recommended Freq* : 4kHz
	8/16	-	-	-	DSF02 Freq* : 4kHz	SF02032 + resistor Freq* : 4kHz
	16/32 – 32/64	-	-	-	SF02025 + resistor Freq* : 4kHz	SF02025 + resistor Freq* : 4kHz

Freq\*: Power bridge cutting frequency

Default frequency: 8kHz (factory setting for the drive; please refer to the PVD 3516: PME-DIGIVEX Motion Adjustment Manual, Hardware section, for the frequency selection)

Long cable lengths usually involve frequencies of 4kHz in line with the table below.

- DSF02: three inductances of 50 mH damped by resistors to rise on rail DIN
- For lengths superior to 100 m, consult us.
- Damping resistor to be used with SF02025 and SF02032 :RE 4008 470 Ω 25 W

The use of self dampers for shorter distances can be envisaged to reduce parasite reception, caused by capacitive coupling with power cables.

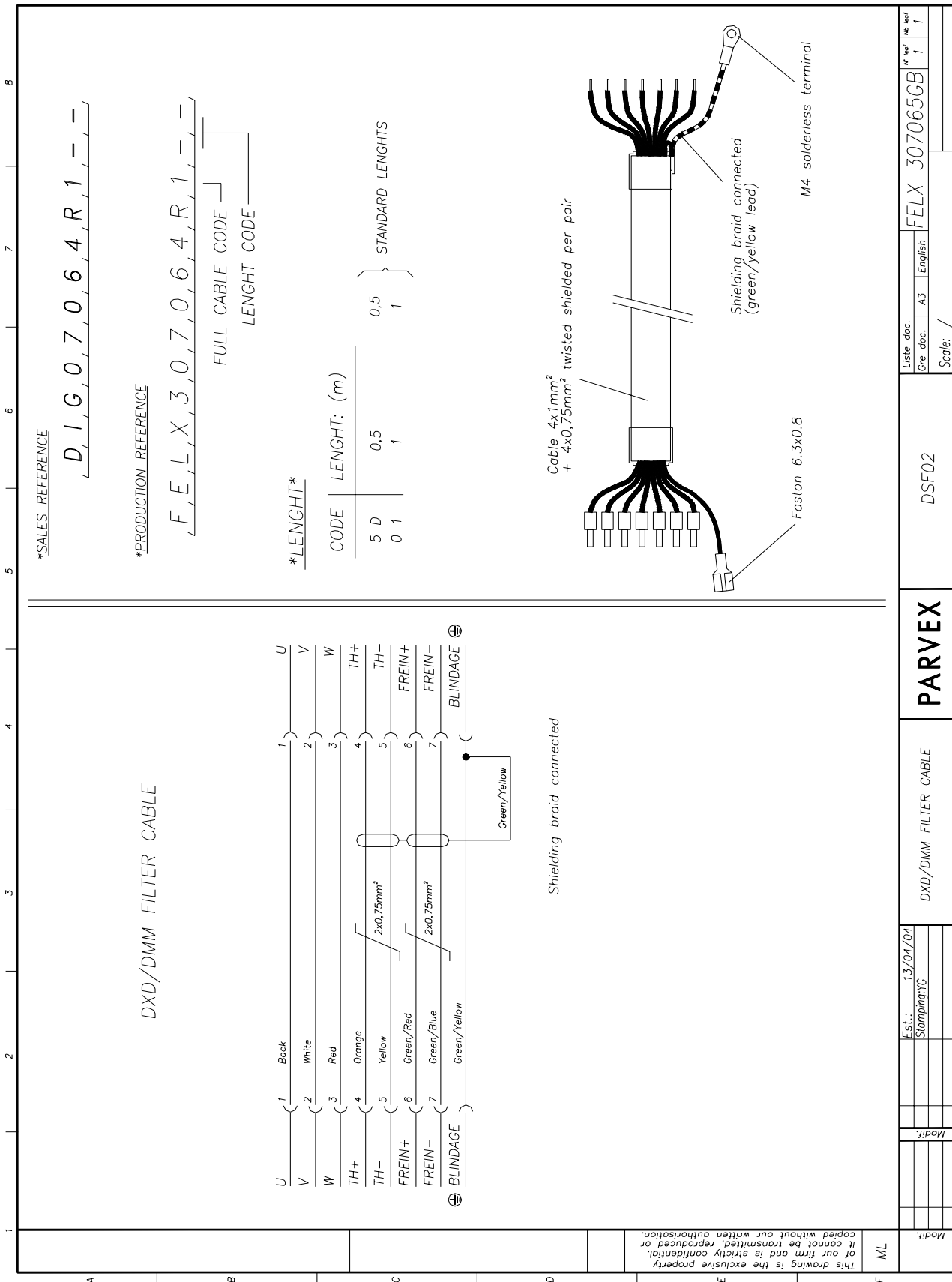






Servoamplifier DIGIVEX Multi Motion (DMM)

Connection cable between DMM and DSF02



## Servoamplifier DIGIVEX Multi Motion (DMM)

---

### **6.5.6 Holding Brake Connection**

Brushless motors may be fitted with a brake of suitable dimensions to hold the drive immobilised. If 24 V dc  $\pm 10\%$  is applied across the brake terminals, the brake disc is released and the motor can rotate.

The 24 V dc current for brake control must be regulated/filtered. It is to be connected to terminal block X1 of the DIGIVEX Power Supply and is then distributed internally to the DIGIVEX Drive modules. The brake is to be connected to terminals B1/6 (+) and B1/7 (-) for 2/4, 4/8, 8/16 and 16/32 and to B2/1 and B2/2 of the DIGIVEX Drive for calibre 32/64.

**24 V brake output terminals** : Outputs assigned to motor brake control (terminal 6 to positive, terminal 7 to negative for calibres 2/4 to 16/32; terminal 3 to positive, terminal 4 to negative for calibre 32/64).

Normal braking voltage: 24 V dc  $\pm 10\%$ .

The 24 V source enters the rack via the DIGIVEX POWER SUPPLY terminal X1. It is supplied externally and passes through the DIGIVEX unit to be redistributed to the drives. Protection is provided by a resettable 1.8 A fuse for calibres up to and including 8//16, and a 2.7 A fuse for calibres 16/32 and 32/64.

Voltage is monitored by the DIGIVEX DRIVE software and, if a brake is engaged, the drive acknowledges the disappearance of the 24 V.

### **6.5.7 Thermal protection Connection**

The two terminals of the PTC probe located in the motor terminal box to be connectec to DIGIVEX Drive terminal blocks B1/4 and B1/5 for calibres 2/4, 4/8, 8/16 and 16/32 and to DIGIVEX Drive terminal blocks B2/1 and B2/2 for calibre 32/64.

## Servoamplifier DIGIVEX Multi Motion (DMM)

---

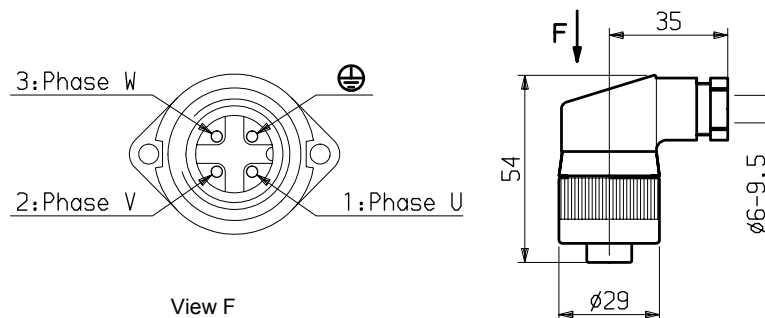
### 6.5.8 Motor Ventilation Connection

Some motors can be delivered as fan-cooled versions.

Fan characteristics :

- Supply voltage : 400 V three-phase, 50/60 Hz as standard.
- Power consumption : 45 W
- Connector type connection (plug 220056P0200 supplied on request).

When connecting check the direction of fan rotation and check that airflow is produced. The direction of airflow is shown on the dimension drawings.



## 6.6 Resolver Connection

---

### 6.6.1 Description

The resolver is a high precision sensor ( $\pm 10$  angular minutes as standard). It must be carefully wired :

- Separately routed power cable.
- Cable twisted and shielded in pair (sine, cosine, excite). The three shieldings must be connected to the metal cap of the SUB-D plug. Do not connect the shieldings at the motor end.

PARVEX SA can supply the cable in either of two versions :

- Separate cable, in this case wire as shown in the diagram below.
- Cable fitted with SUB-D plug at drive end and connector at motor end. This solution is strongly recommended as the cable is ready for use.

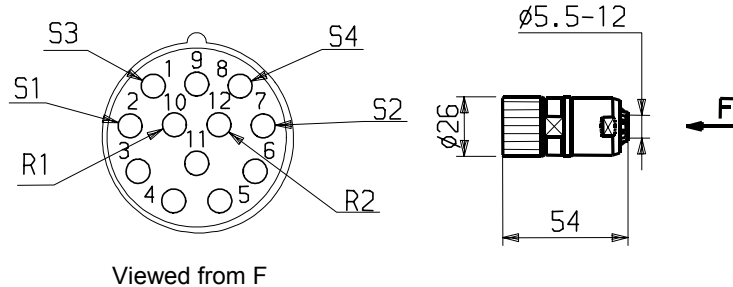
Maximum distance between resolver and DIGIVEX DRIVE : 200 m. Please ask about longer cables.

Maximum permissible cross-sections :

- For SUB-D plug :  $0.5\text{mm}^2$
- For removable connector plug.  $0.14$  to  $0.5\text{mm}^2$  (solder or crimp-fit contacts)

## Servoamplifier DIGIVEX Multi Motion (DMM)

### RESOLVER CONNECTOR REMOVABLE PLUG (motor end connector) 220065R4621 (solder-fit contacts - standard) 220065R1621 (crimp-fit contacts)



#### **For XD motors :**

Connect by Sub-D connector under rear cover (cable routed through special cable gland).

Please ask for details.

### 6.6.2 Sub-D connector X4:"Resolver"

DIGIVEX end connections, Sub-D 9 pin connector item ref. X4 "RESOLVER".  
 Maximum conductor cross-section: 0.5 mm<sup>2</sup>

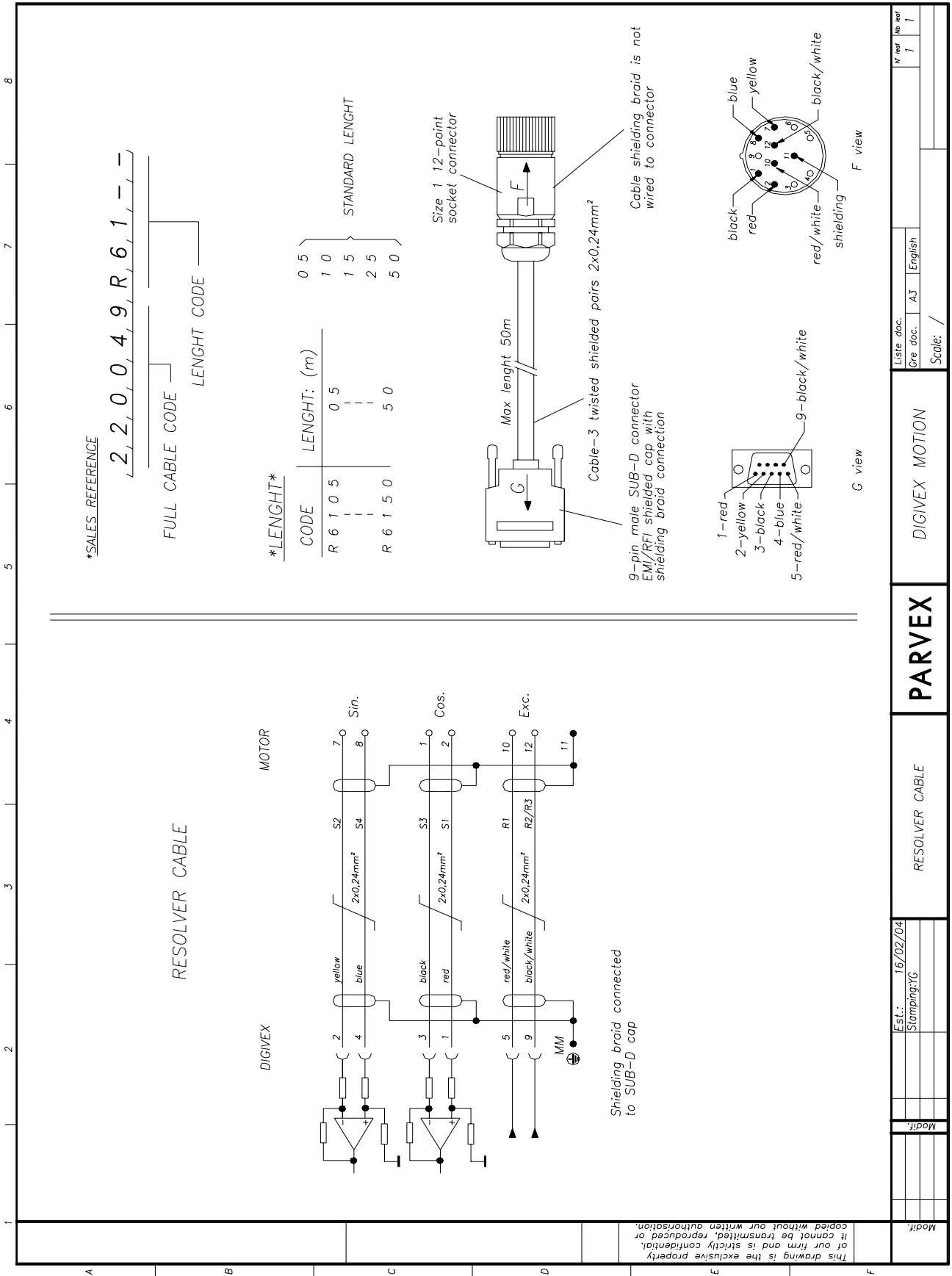
CONTACT	TYPE	FUNCTION
1	Input	Cosine S1
2	Input	Sine S2
3	Input	Cosine S3
4	Input	Sine S4
5	Output	Excitation R1
6	-	Unused
7	-	Unused
8	-	Unused
9	Output	0V Excite R2/3

### 6.6.3 Cables

Cables by meter: product number : 6537P0001

Complete cables (fitted with plug at the motor end and SUB-D connectors at the DSM end)  
 product number 220049R61xx (xx : length in metres 5m/10m/15m/25m/50m).

# Servoamplifier DIGIVEX Multi Motion (DMM)



## Servoamplifier DIGIVEX Multi Motion (DMM)

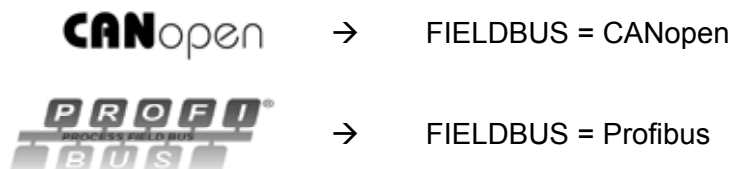
---

# 6.7 FIELDBUS Connections

---

## 6.7.1 SUB-D X1 plug : FIELDBUS

Identify the nameplate on the front end :



## 6.7.2 CANopen connections and cables

See DIGIVEX Motion - CANopen manual : PVD 3518

## 6.7.3 Profibus connections and cables

See DIGIVEX Motion - Profibus manual : PVD 3554

## Servoamplifier DIGIVEX Multi Motion (DMM)

### 6.8 Input/Output connection

#### 6.8.1 SUB-D X2 socket: Inputs/Outputs

CONTACT	TYPE	FUNCTION	CHARACTERISTICS
1 2 20	0 V -12 V +12 V	Symmetrical supply available for analogue I/O	Max. current available = $\pm 50$ mA
3 21	outa 0 V	$\pm 10$ V analogue output	Analogue conversion: $\approx 9$ bits + sign Output $\pm 10$ V / 3 mA Protected against short circuits
4 22	ina + ina -	$\pm 10$ V analogue input	Analogue conversion: 13 bits + sign Differential input
28 10	+ 24V 0V (1)	+24 V input for logic output supply 0V logic outputs	max. 400 mA for 8 outputs Internally connected to X2-7 and X2-23
9 27 8 26 7	out 0 out 1 out 2 out 3 0V (1)	Logic outputs Logic outputs Logic outputs Logic outputs 0V logic outputs	24 V PNP, optocoupled, max. 50 mA outputs, protected against short circuits Internally connected to X2-10 and X2-23
25 6 24 5 23	out 4 out 5 out 6 out 7 0V (1)	Logic outputs Logic outputs Logic outputs Logic outputs 0V logic outputs	24 V PNP, optocoupled, max. 50 mA outputs, protected against short circuits Internally connected to X2-7 and X2-10
37 18 36 17 35 16 34 15 19	in0 in1 in2 in3 in4 in5 in6 in7 COM0	Logic input Logic input Logic input Logic input Logic input Logic input Logic input Logic input Common for inputs in0-in7	Optocoupled logic inputs, type 1 under IEC 1131-2
33 14 32 13 31 12 30 11 29	in8 in9 in10 in11 in12 in13 in14 in15 COM1	Logic input Logic input Logic input Logic input Logic input Logic input Logic input Logic input Common for inputs in8-in15	Optocoupled logic inputs, type 1 under IEC 1131-2



## Servoamplifier DIGIVEX Multi Motion (DMM)

### 6.8.2 Input/Output characteristics

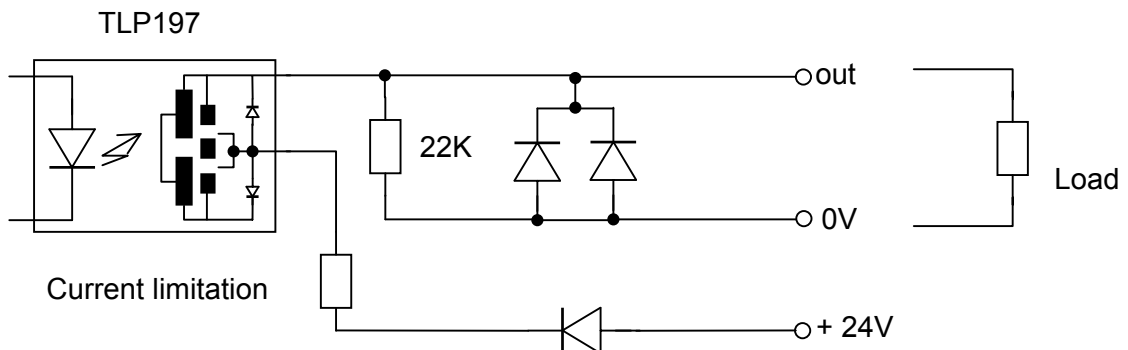
#### 6.8.2.1 Logic outputs (out0 - out7)

- opto-mos outputs (2.5 kV isolation voltage), 24 V dc / 50 mA,
- PNP-type static outputs (load connected to negative supply pole) with diode in parallel on load and protection by current limitation,
- an output is said to be at 1 if it is activated (24 V dc output),
- user must provide 24 V dc supply for outputs (18 V ac rectified, filtered),
- 24 V dc supply input protected against reversals of polarity (diode).



To avoid any ill-timed output status change during drive initialization (when the auxiliary power supply appears), it is recommended to wait about 3 seconds before switching on the 24V DC supply of the outputs.

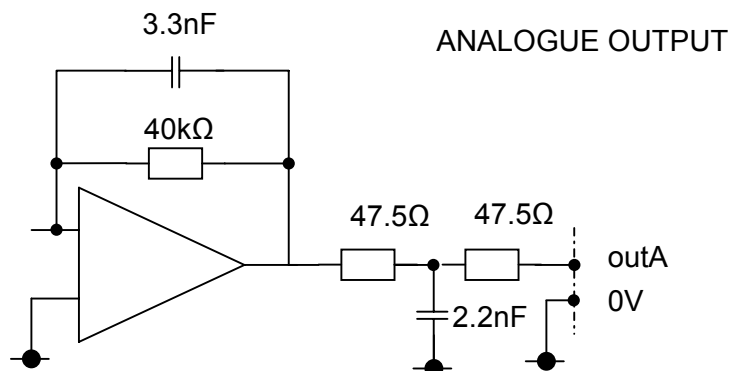
	MIN	TYPICAL	MAX
<b>Supply voltage</b>	5 V	24 V	40 V
<b>Output current (level 1)</b>	0.05 mA	-	50 mA
<b>Residual current (level 0)</b>	-	-	0.001 mA
<b>Response time Ton (0-1)</b>	-	0.3 ms	1 ms
<b>Response time Toff (1-0)</b>	-	0.2 ms	1 ms
<b>Output voltage drop I = 50 mA</b>	-	-	2 V



#### 6.8.2.2

#### 6.8.2.3 Analogue output (outa)

Analogue output : +/-10V  
 Resolution : ≈ 10 bits (9 bits + 1 sign bit)  
 Maximum output current : 5 mA (minimum load 2 K)  
 Source impedance : 100 ohms

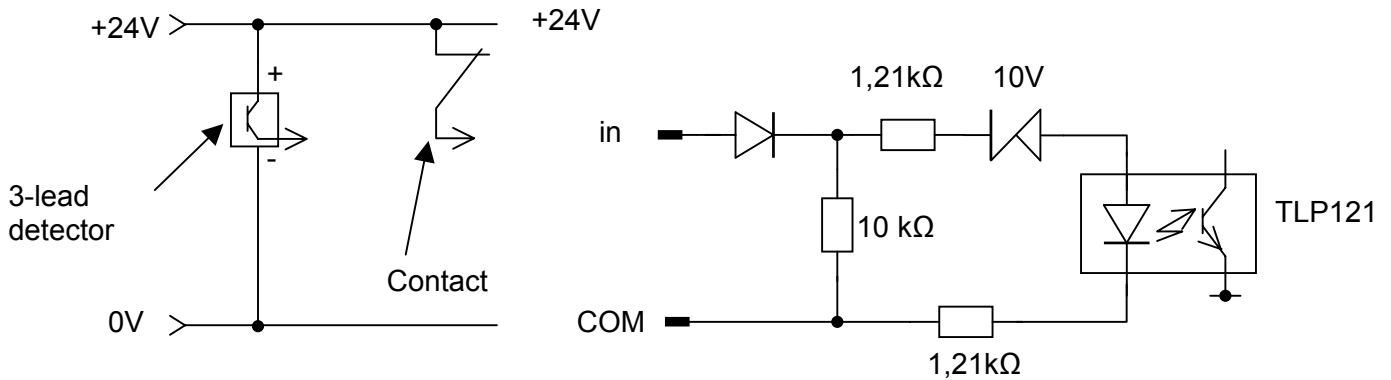


## Servoamplifier DIGIVEX Multi Motion (DMM)

### 6.8.2.4 Logic inputs (in0 - in15)

- opto-coupled 24V dc inputs (5 kV isolation voltage),
- type 1 inputs under IEC 1131-2,
- input load resistance: 10 K,
- an input is said to be at 1 if it is activated (24 V dc output). Otherwise it is said to be at 0,
- inputs may be connected directly to PNP type outputs (no external load resistor required),
- possibility of connecting 24 V dc "NC (normally closed) or NO (normally open) inductive proximity detectors : 3-lead, PNP output type (load connected to negative supply pole

	MIN	TYPICAL	MAX
Input voltage (level 0)	-	0 V	5 V
Input voltage (level 1)	15 V	24 V	30 V
Input current (level 0)	-	0 mA	0.5 mA
Input current (level 1)	3 mA	7 mA	10 mA
Response time $T_{on}$ (0-1)			
Inputs In0-In3	-	0.2 ms	-
Other inputs (in4-in15)	-	1 ms	-
Response time $T_{off}$ (1-0)			
Inputs In0-In3	-	0.2 ms	-
Other inputs (in4-in15)	-	1 ms	-

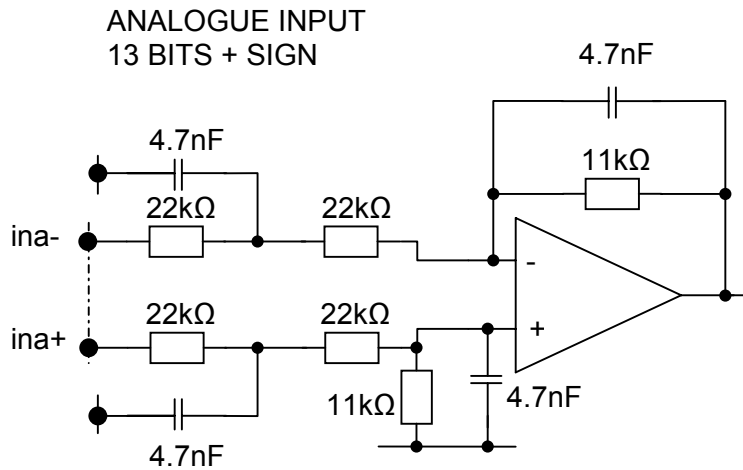


## Servoamplifier DIGIVEX Multi Motion (DMM)

---

### 6.8.2.5 Analogue input (ina)

- Differential input : +/-10V
- Resolution : 14 bits (13 bits + 1 sign bit)
- Input impedance : >40k $\Omega$
- Maximum consumption on +12 V : 10 mA max.
- Maximum consumption on -12 V : 10 mA max.

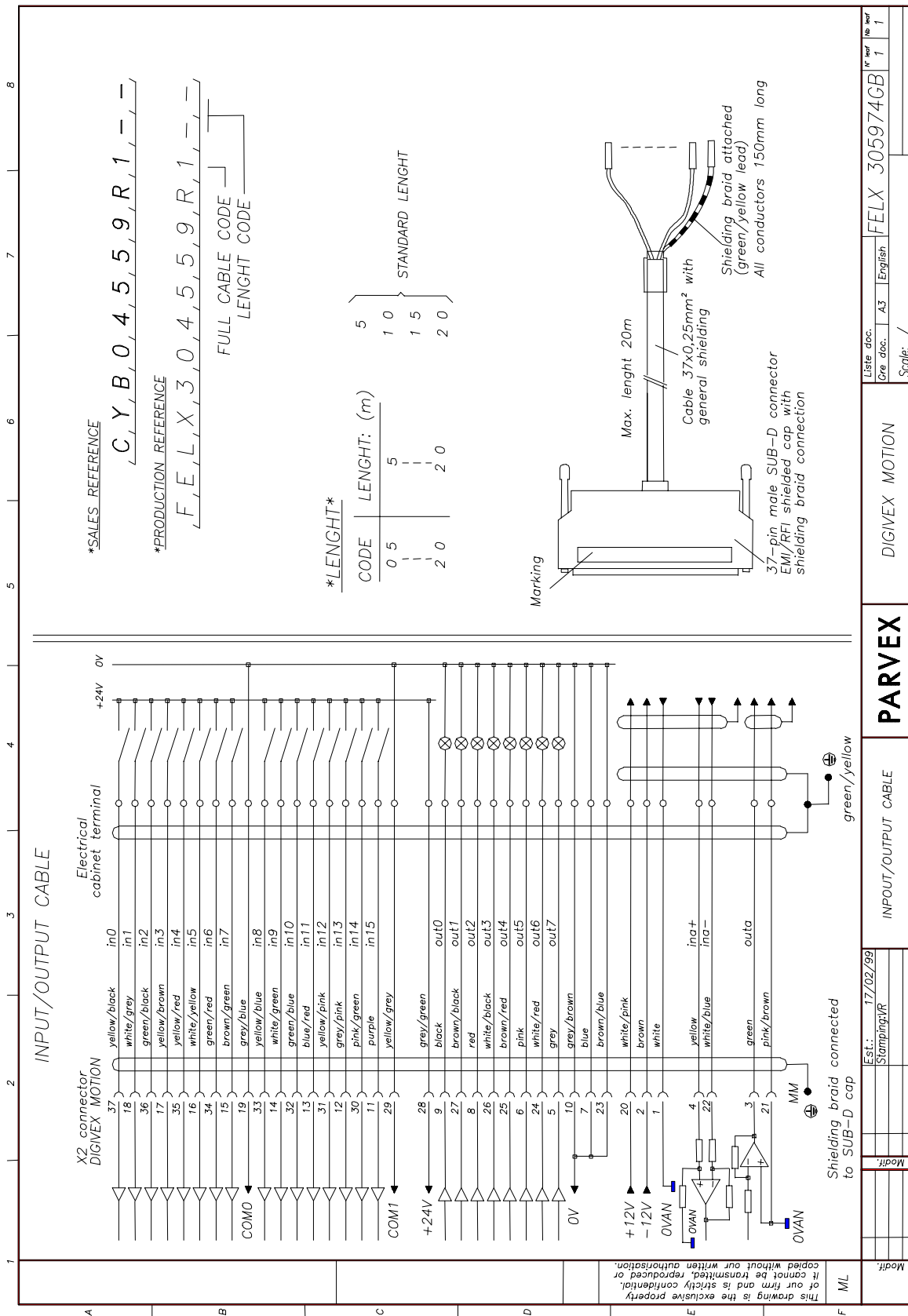


### 6.8.3 Cable

Loose cables: product number CB 08304

Complete cables: product number CYB04559R1 xx (xx : defines the length in m) (equipped with SUB-D connectors). See drawing FELX 305974.

# Servoamplifier DIGIVEX Multi Motion (DMM)



## Servoamplifier DIGIVEX Multi Motion (DMM)

---

# 6.9 Encoder emulation option connection (SC6639)

---

## 6.9.1 Description

This optional board, fitted in the DSM, converts the signal from the resolver into a series of pulses identical to those from an incremental encoder: A, B, Zero Mark and their complements.

## 6.9.2 Sub-D connector X3: encoder emulation option

Sub-D 9-pin plug, "Encoder". Maximum conductor cross-section: 0.5 mm<sup>2</sup>.

CONTACT	TYPE	FUNCTION	Characteristics
5	Input	5V	Max. current = 100 mA
9	Input	0V	
7	Output	A	Encoder channel A
3	Output	$\bar{A}$	Encoder channel $\bar{A}$
8	Output	B	Encoder channel B
4	Output	$\bar{B}$	Encoder channel $\bar{B}$
6	Output	zero mark	Encoder channel zero mark
2	Output	$\overline{\text{zero mark}}$	Encoder channel $\overline{\text{zero mark}}$

## Servoamplifier DIGIVEX Multi Motion (DMM)

---

### **6.9.3 Programming resolution and zero mark position**

This is done with the PME DIGIVEX-MOTION. (See the Manual PVD3516)

These parameters can be called up by selecting the "Input/Output parameters menu with the "options" tab.

#### **Resolution**

Adjustable between 1 and 16384, either by +/- keys, or be entering the number directly (in "OFF LINE" mode only).

#### **Zero Mark Setting**

Adjust by trial-and-error with the PC working in "ON LINE" mode.

When the operator judges the position is suitable, he confirms by acknowledging the zero mark.

### **6.9.4 Electrical characteristics**

The electrical output interface meets standard RS422 for differential serial links. The circuit used is a "LINE DRIVER" of the 26C31 type. The electrical characteristics are therefore closely related to the use of this component.

#### **Voltage supply**

The encoder emulation boards are electrically isolated between the output stage through three optocouplers, needing to be powered by an external +5V  $\pm 10\%$ , 100 mA source, as for all incremental encoders.

In no case can this power supply, which is intended only for electrical isolation, be used to keep position information from the resolver in the event of failure of the drive's low-level power supply.

#### **Short-circuit capability**

A single output may be short-circuited at 0 V at any given time

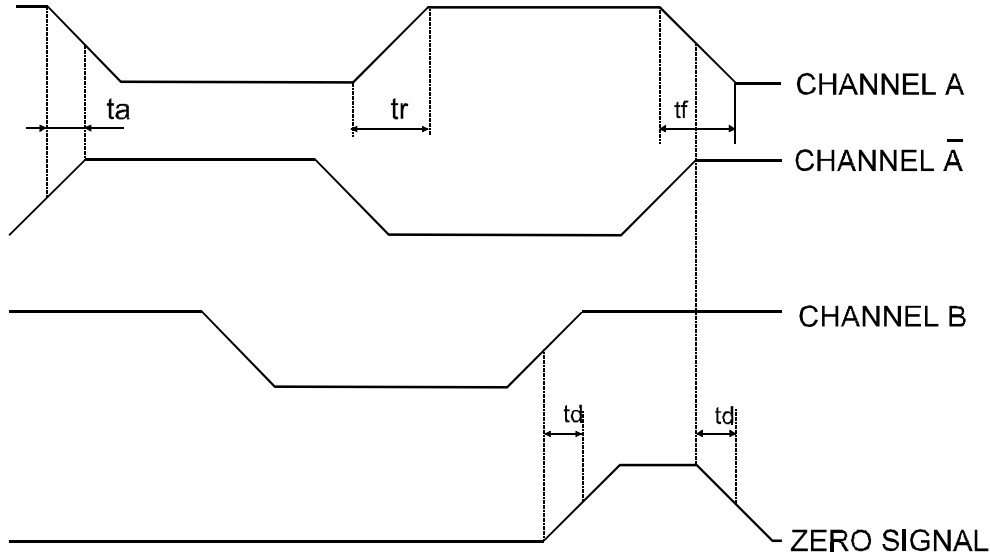
## Servoamplifier DIGIVEX Multi Motion (DMM)

---

### Signal form

Signal levels:

- $U_{high} \geq 2.5V$  for  $I_{high} \geq -20mA$
- $U_{low} \leq 0.5V$  for  $I_{low} \leq 20mA$



### Switching time:

Rise or fall time defined from 10% to 90% of the magnitude in question, without cable and without load.

$$tr = tf = 45ns \text{ (typical value)}$$

### Time delay between direct and complemented channels

Time delay defined at 50% of magnitudes in question without cable and without load.

$$-6ns \leq ta \leq 6ns \text{ (maximum)}$$

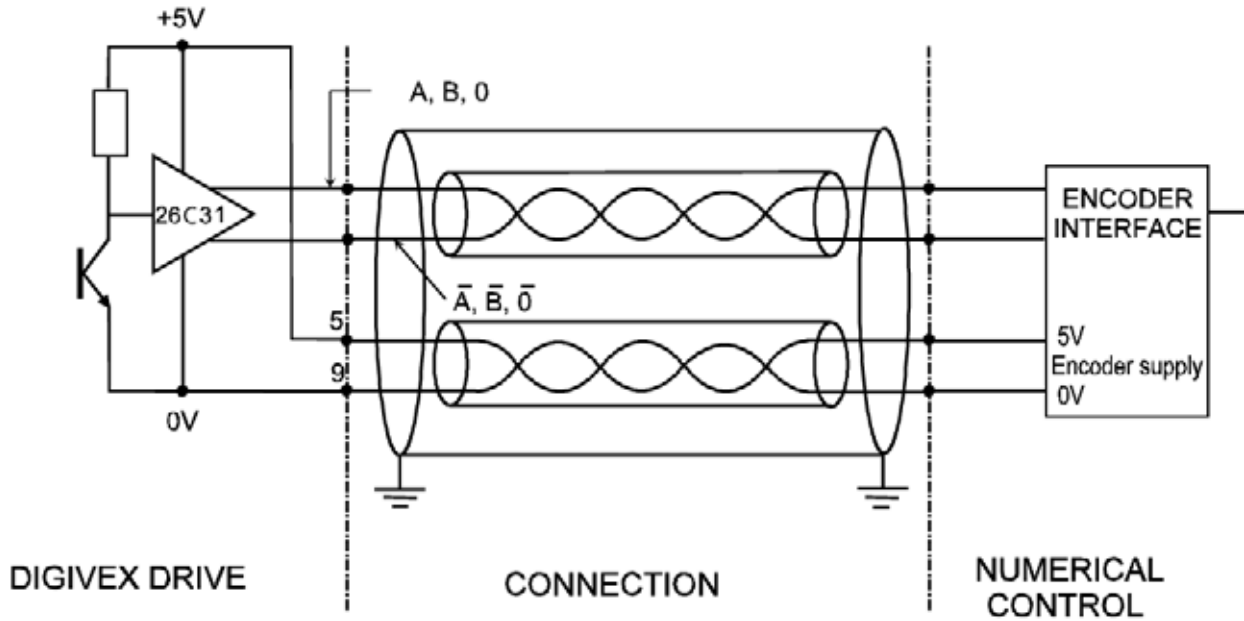
**maximum frequency** : 500 kHz on signals A or B

## Servoamplifier DIGIVEX Multi Motion (DMM)

### Time interval between channels A, B and the zero mark

Time delay defined at 50% of magnitudes in question without cable and without load.

$$-6\text{ns} \leq t_d \leq 6\text{ns} \text{ (maximum)}$$



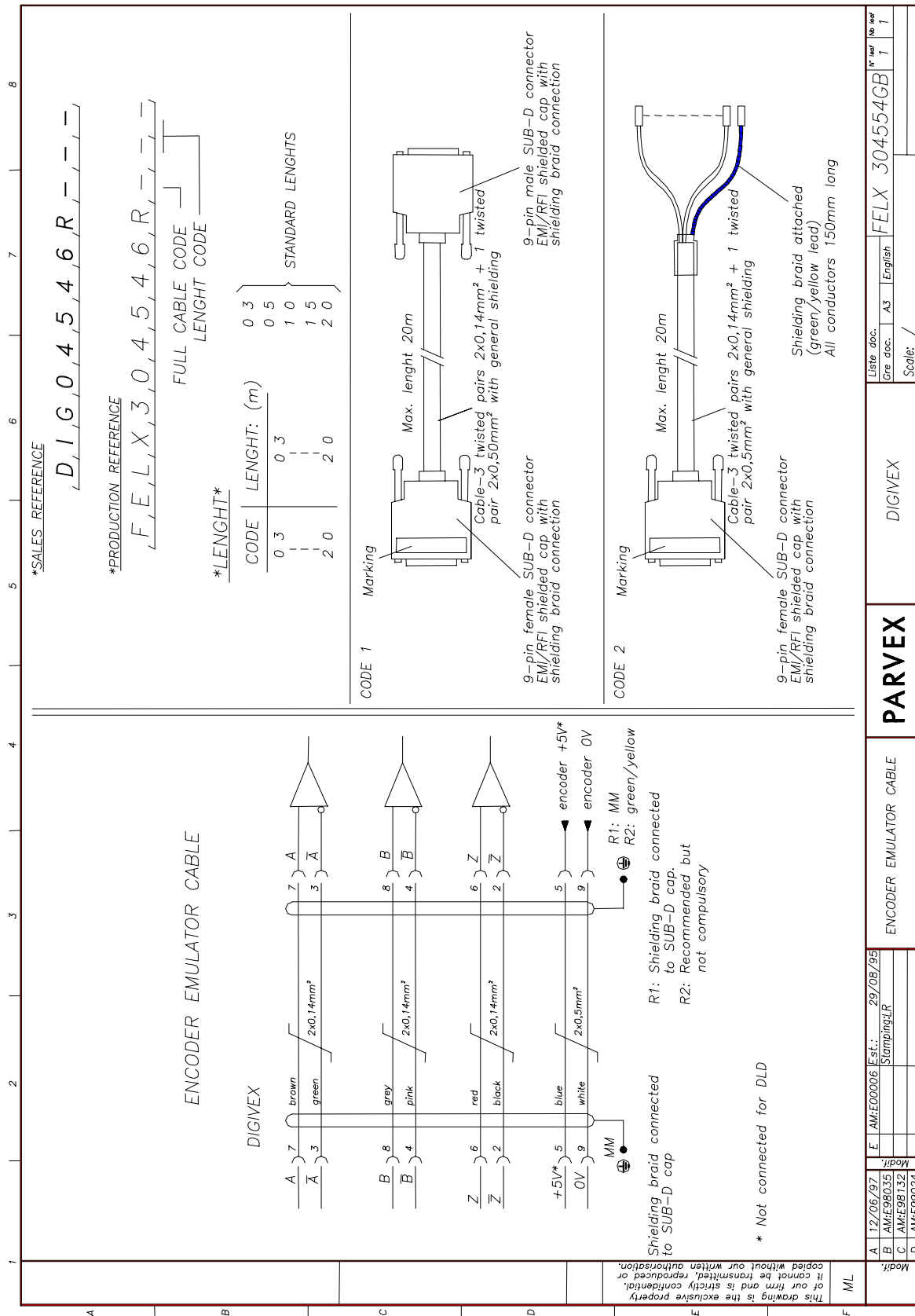
### 6.9.5 Cable

Cable can be supplied with SUB-D connectors, see drawing FELX 304554.

Product number    DIG 04546R1xx (2 SUB-D connector)  
                          DIG 04546R2xx (1 SUB-D connector)  
                          (xx : defines length in metres)



Servoamplifier DIGIVEX Multi Motion (DMM)



## Servoamplifier DIGIVEX Multi Motion (DMM)

---

# 6.10 External encoder input option connection (SC6638)

---

### 6.10.1 Description

This option board, placed in the DSM, is used to connect an external incremental encoder which may be used:

- either as a master axis for synchronization with an external moving component, or as a cam type function.
- or as a position measuring device if position measurement given by the resolver is unsuitable, Caution: in this case, the resolver must be connected nevertheless.
- or as a position measuring device for refined applications where allowance must be made for position on the part and not on the motor.  
Caution: in this case, the resolver must be connected nevertheless.

- or as an automatic control and position measuring device  
Attention : in this case, the motor shaft must be mechanically free so that the motor can be polarized using user program as Motor\_polarization.bdm which is to be found under : C:\Program Files\Parvex\Pme4.xx\App\_Parvex\Samples\Misc.  
The drive in7 input and out7 output are assigned to this program :
  - in7 = 1 authorizes the calibration phase to start.
  - out7= 1 when the calibration phase is completed.This program is only given as an example and can be modified according to the customer application.

The position sensor must be an incremental encoder type, with complemented track, with a line driver:

- tracks A,  $\bar{A}$ , B,  $\bar{B}$ , zero mark,  $\overline{\text{zero mark}}$
- supply +5 V
- maximum consumption 250 mA
- maximum frequency: 250 kHz on signals A or B
- Encoder +5V supply voltage is provided by the DSM from a +24V DC external supply.

## Servoamplifier DIGIVEX Multi Motion (DMM)

### 6.10.2 SUB-D X3 sockets: encoder input option

CONTACT	TYPE	FUNCTION	Characteristics
5	Output	5V	max. 250 mA encoder supply ⚠ : + 24 V supply to sockets X2-28 / X2-10 is required for encoder supply
9	Output	0V	
7	Input	A	Encoder channel A
3	Input	$\bar{A}$	Encoder channel $\bar{A}$
8	Input	B	Encoder channel B
4	Input	$\bar{B}$	Encoder channel $\bar{B}$
6	Input	Zero mark	Encoder channel zero mark
2	Input	$\overline{\text{zero mark}}$	Voie codeur $\overline{\text{zero mark}}$

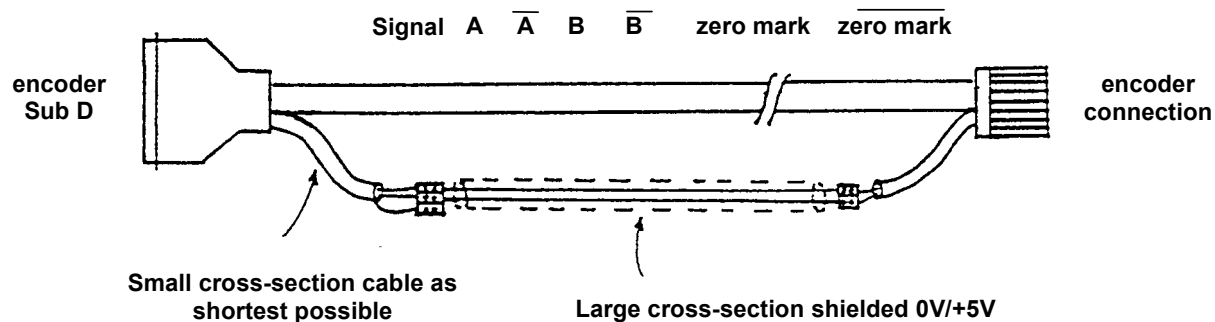
### 6.10.3 Cable

The DSM-Encoder connection cable shall be made up of three twisted pairs of cross-section of 14 mm<sup>2</sup> or more (for signal transmission) and one larger pair (for encoder supply).

Encoder supply cable cross-section:

- 20 m cable 150 mA current → 0.5 mm<sup>2</sup>
- 35 m cable 150 mA current → 1 mm<sup>2</sup>
- 10 m cable 200 mA current → 0.5 mm<sup>2</sup>
- 20 m cable 200 mA current → 1 mm<sup>2</sup>
- 50 m cable 200 mA current → 2.5 mm<sup>2</sup>
- 10 m cable 250 mA current → 0.75 mm<sup>2</sup>
- 20 m cable 250 mA current → 1.5 mm<sup>2</sup>
- 40 m cable 250 mA current → 2.5 mm<sup>2</sup>

Some of the cross-sections defined above are difficult to wire to a SUB-D connector, in which case the following wiring arrangement may be used.



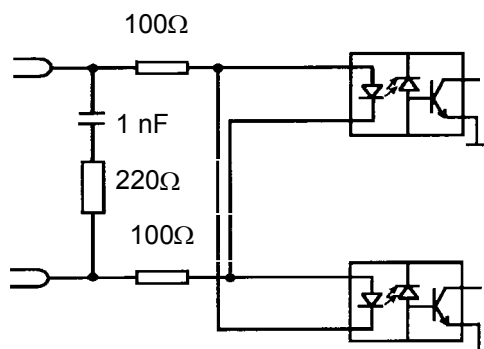
## Servoamplifier DIGIVEX Multi Motion (DMM)

---

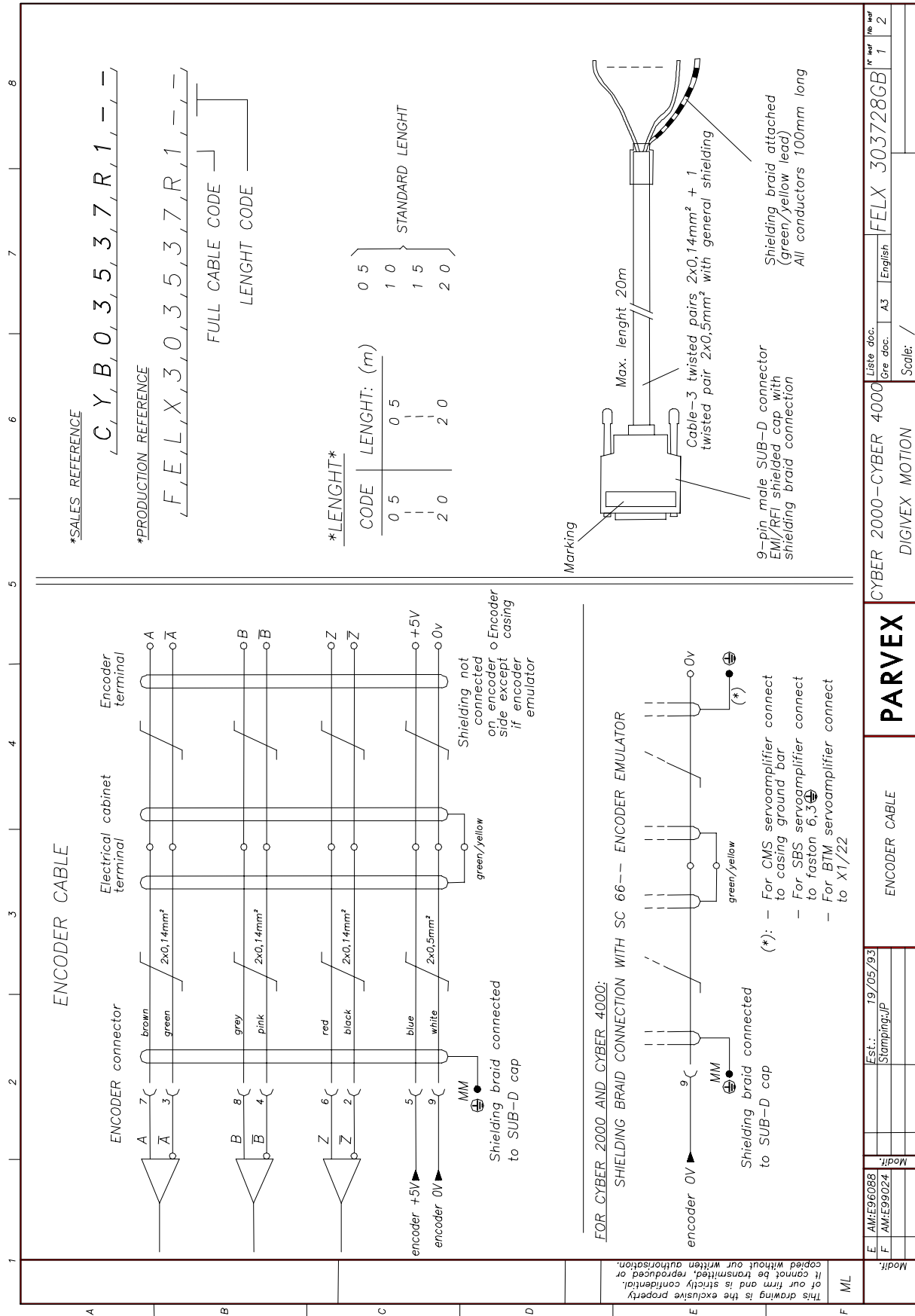
For higher values an external +5V supply must be installed near to the encoder to prevent voltage loss over long lengths of cable.

Input interface :

Input voltage	MIN.	MIN	TYPYCAL	MAX
level 0	-	-	0 V	1 V
level 1	3 V	3 V	5 V	5.5 V



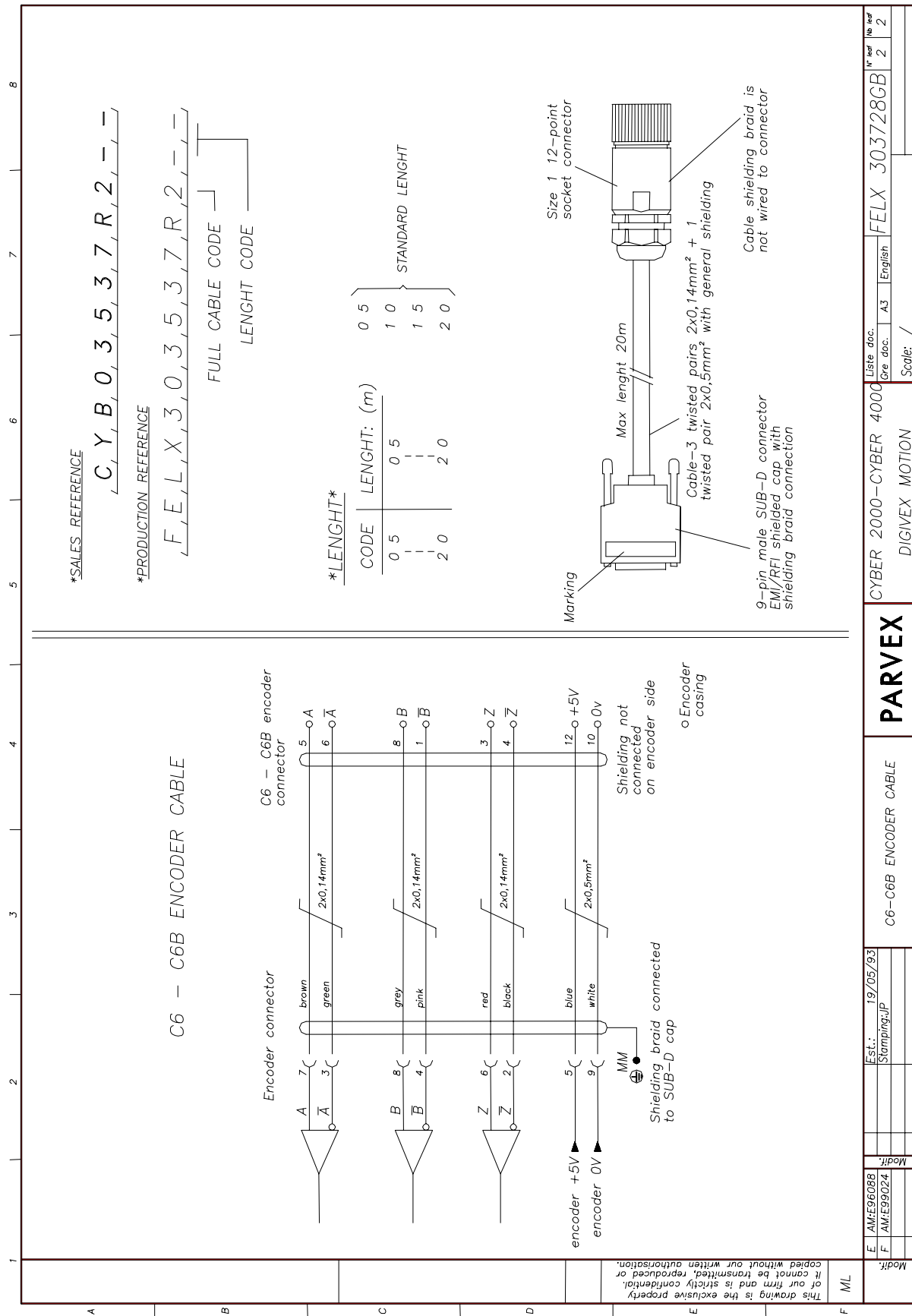
# Servoamplifier DIGIVEX Multi Motion (DMM)



Est.:	19/05/93	Lists doc.:	CYBER 2000 - CYBER 4000	Lists doc.:	FELX 303728GB	N° part	1	N° part	2
Stamping:JP		Cre doc.:	A3	English					
Modif.:		Scale:	/						
F AM: E96088		ENCODER CABLE		<b>PARVEX</b>		CYBER 2000 - CYBER 4000 DIGIVEX MOTION			
F AM: E99024									

This drawing is the exclusive property of our firm and is strictly confidential. It cannot be transmitted, reproduced or copied without our written authorization.

# Servoamplifier DIGIVEX Multi Motion (DMM)



## 6.11 Connecting the SinCos encoder input option (SC6645)

---

### 6.11.1 Description

This optional card, placed in the DSM, is used to connect a SinCos encoder which acts as an automatic motor and position measurement control unit for applications requiring both rotation speed and significant resolution.

Attention: in this case, the motor shaft must be mechanically free so that the motor can be polarized using a user program w as Motor\_polarization.bdm which is to be found under C:\Program Files\Parvex\Pme4.xx\App\_Parvex\Samples\Misc.

The input (in7) and the output (out7) are assigned to this program:

- in7 = 1 authorizes the polarization phase to start.
- out7= 1 when the motor polarization phase is completed.

This program is only given as an example and can be modified according to the customer.application

In addition, a program available under PME (Parameter editor -> Motor/Resolver -> Setting SinCos encoder parameters) can be used to equalize any SINE and COSINE channel offsets as well as any differences in amplitude between the same channels.

The resolution obtained via the SinCos encoder is given by the formula:

**RESOLUTION = NUMBER OF ENCODER PERIODS OF SINE X INTERPOLATION FACTOR**


with the INTERPOLATION FACTOR being approx. equal to 512 points; the interpolation factor is the breakdown of a sinusoidal signal as a given number of points.

The position sensor should be a SIN/COS encoder with sinusoidal outputs:

- Tracks A,  $\bar{A}$ , B,  $\bar{B}$ , Top0,  $\overline{\text{Top0}}$  (analog).
- 2 signals, A and B, in quadrature and their inverted signals  $\bar{A}$   $\bar{B}$ , being short circuit resistant.
- Maximum number of authorized encoder periods of sine: 65536 periods/revolution.
- Level of differential peak to peak voltages A  $\bar{A}$  and B  $\bar{B}$  between 0.8 V (AC) and 1.1 V (AC).
- Power supply +5V.
- Maximum consumption 250 mA.
- Maximum frequency: 200 kHz for the A or B signals.
- An external 24V +/- 10% power supply must be provided to supply the SC6645 option card via the DSM SUB-D X2 (Contact 28: + 24V, Contact 10: 0V). An isolated DC-DC converter (24V /5V), on the option card is used to supply the encoder with 5V.  
Attention: The external power supply needs to be 24V DC +/- 10%.

## Servoamplifier DIGIVEX Multi Motion (DMM)

### 6.11.2 SUB-D X3 plug: Encoder input option.

CONTACT	TYPE	ROLE	Characteristics
5	Output	5V	Encoder power supply: maximum output 250 mA.  : a +24V power supply for X2-28 / X2-10 plug is required for processing the encoder power supply
9	Output	0V	
7	Input	A	Encoder channel A SINE signal (differential inputs)
3	Input	$\bar{A}$	Encoder channel $\bar{A}$
8	Input	B	Encoder channel B COSINE signal (differential inputs)
4	Input	$\bar{B}$	Encoder channel $\bar{B}$
6	Input	Top 0	Encoder channel Top 0 (differential inputs)
2	Input	$\overline{\text{Top 0}}$	Encoder channel $\overline{\text{Top 0}}$

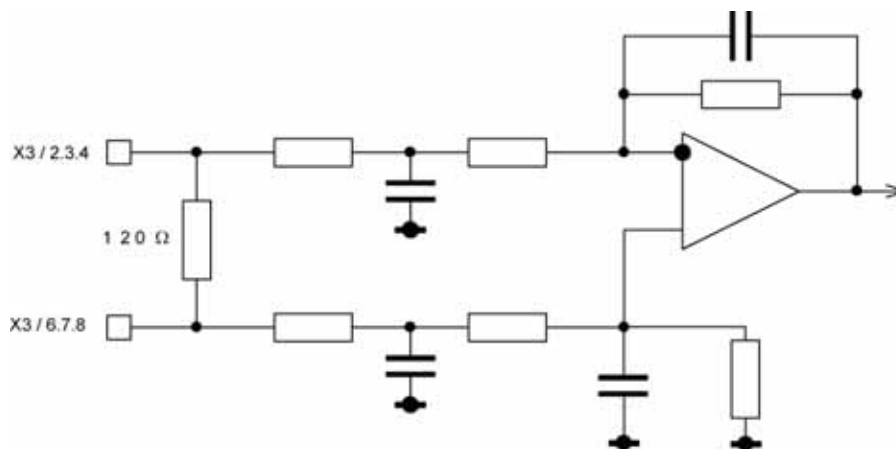
### 6.11.3 Cables

The DSM connection cable should be made up of 4 twisted pairs, shielded in pairs, with sections greater than or equal to 0.25 mm<sup>2</sup>.

The maximum cable length is 40 m. Please consult us for information on longer cable lengths. There is an approved PARVEX cable for controlling with SinCos encoder.

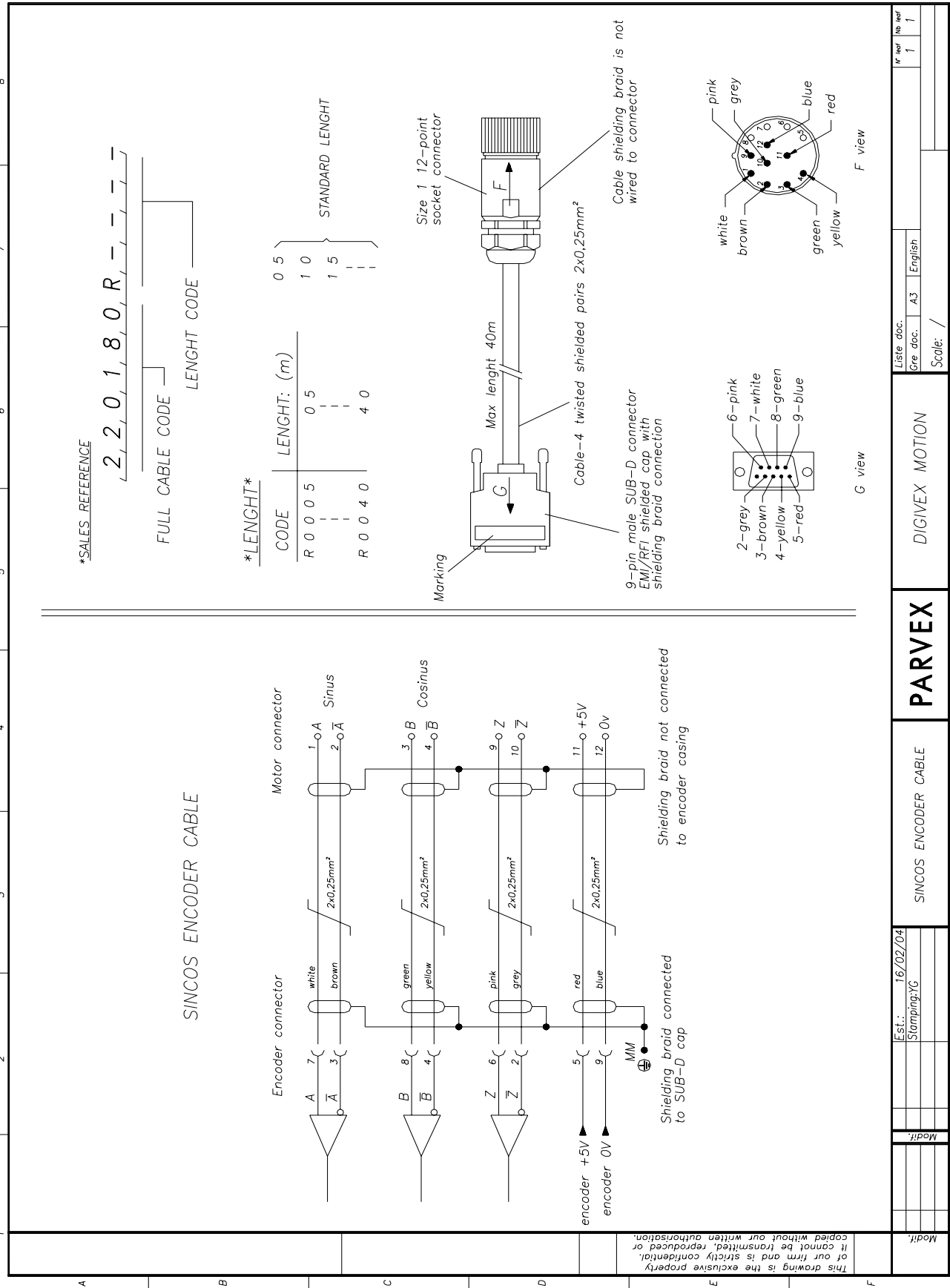
#### Input interface:

The input signals for the encoder input card should be sinusoidal and differential with peak to peak values between 0.8 V and 1.1 V.





Servoamplifier DIGIVEX Multi Motion (DMM)



## 7. COMMISSIONING - DIAGNOSTICS

### 7.1 Start Up Sequence

---

#### 7.1.1 Prior Checks

##### Wiring Check

- Power and auxiliary connections to DIGIVEX POWER SUPPLY.
- Connection of any external energy recovery resistor and presence or absence of strap on terminal block B3.
- Wiring of Reset and Emergency Stop to DIGIVEX POWER SUPPLY.
- External arrival of 24 V source for motor brake on DIGIVEX POWER SUPPLY terminal block X1.
- Check resolver connections :
  - ◆ at motor end
  - ◆ at DIGIVEX DRIVE end.
- Check the power, brake and thermal sensor connections :
  - ◆ at motor end
  - ◆ at DIGIVEX DRIVE end.

##### Power Supply Type Check

- Power : 50/60 Hz, three-phase 400 V  $\pm$  10%.
- Auxiliaries : single-phase, 50/60 Hz, 400 V  $\pm$  10%.
- Brake supply : 24 V dc  $\pm$  10% (ripple included).

**Check the position of the DIGIVEX POWER SUPPLY straps (ST1 / ST2 / ST3).**

**Warning:** Before any work make sure that the power bus is at 0 V. Wait at least three minutes after the motors have come to a complete stop before carrying out any work. **The power and auxiliary buses must be at zero Volts when removing the drives from the rack, all the LEDs are switched off.**

#### 7.1.2 Commissioning with PME-DIGIVEX Motion

See the Manual

PVD3516

## Servoamplifier DIGIVEX Multi Motion (DMM)

# 7.2 DIGIVEX Power Supply

### 7.2.1 Straps positions

**ST1** : No phase detection.

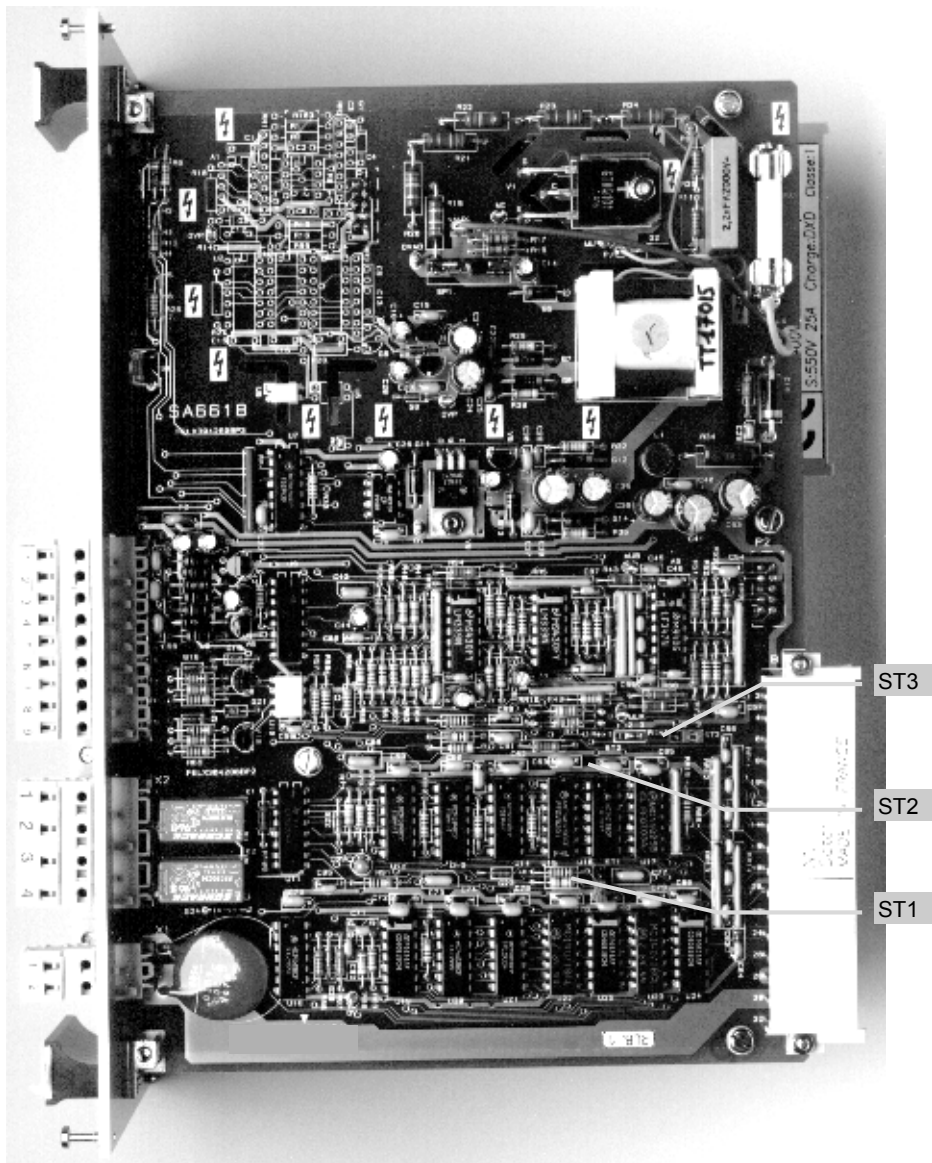
- fitted, no phase detection.
- removed, no detect. Single-phase operation at 20% of maximum capacity.

**ST2** : Regeneration cycle. See §1.4.3. Strap ST2 is not fitted on 12 kW Power Supplies.

**ST3** : Power bus discharge.

- between 1 & 2, bus discharged via regeneration resistor if bus voltage falls below 200V. With this option the bus discharging time can be higher than 5 seconds.
- between 2 & 3, bus discharged upon supply cut out (no mains supply detection). Approximately 100 ms after motors stop.

Standard configuration: ST1 and ST2 fitted, ST3 between 2 and 3.



## Servoamplifier DIGIVEX Multi Motion (DMM)

---

### 7.2.2 Initialization Sequence

Upon energizing :

- T0                                    ← Mains present
- T0 + 100 ms                        → OK relay closed
- T0 + 700 ms                        → Main switch closed capacitors precharged
- T0 + 800 ms                        → Regeneration test OK
- T0 + 940 ms                        → INIT signal

The INIT. (initialization) signal enables the drives to be released.

### 7.2.3 Stop Sequence

#### 7.2.3.1 Normal stoppage

Normal stoppage is achieved by deliberately opening the main contactor.

- To                                      ← contactor opened
- To + 10ms                            ⇒ "POWER OFF" LED comes on
- To + 20ms                            ⇒ OK contact on terminal block B5 opens
- To + 20ms + delay                ⇒ The motor is no longer controlled after the bus has discharged. The "POWER ON" LED goes out.  
Discharge time depends on positioner activity during this phase.

#### 7.2.3.2 Stoppage subsequent to mains supply or braking fault

- To                                      ← Fault detected
- To + 20ms                            ⇒ The OK contact of terminal block B5 opens and displays the type of fault at the supply side via a set of LEDs.  
The external automatic control must then open the main contactor at the latest 100 ms after the OK relay opens.
- To + 20ms + Tr                      ⇒ The "POWER OFF" LED lights. (Tr be the contactor opening delay).
- To + 20ms + Tr + delay            ⇒ The motor is no longer controlled after the bus has discharged. The "POWER ON" LED goes out.  
Discharge time depends on positioner activity during this phase.

#### 7.2.3.3 Stoppage subsequent to motor drive fault

- To                                      ← Fault detected
- To + 10ms                            ⇒ The motor is no longer controlled. The 7-segment display shows the fault in question.
- To + 20ms                            ⇒ The OK contact of terminal block B5 opens.  
The external automatic control must open the main contactor at the latest 100 ms after "OK" opens.  
After the main contactor opens "POWER OFF" LED comes on.
- To + 20ms + delay                ⇒ "POWER ON" LED goes off,

N.B. Mains failure entails bus dc voltage discharging two seconds later whatever the stop mode.

## Servoamplifier DIGIVEX Multi Motion (DMM)

---

### 7.3 Detecting Reasons for Stoppage

---

#### 7.3.1 LED display - power supply function

LED	COLOR	FUNCTION
POWER ON	Green	Power on, with no fault in the supply or in the drive control.
POWER OFF	Red	Auxiliary supply on. No power supply (either because of a fault, or by switching off).
RECOVERY	Red	Either, if temporarily on, normal switch in of recovery resistor Or, if permanently on, recovery fault or resistor short-circuited (valid only for external resistors).
OVER VOLT	Red	Flashing: mains supply overvoltage 480V or 255V Fixed: bus overvoltage 750 VDC or 400VDC
PHASE	Red	No mains power phase.
AUX. SUPPLY	Green	Indicates auxiliary supply is on.

In normal operation, the LED status is as follows:

- POWER ON                      Green
- POWER OFF                    Off
- RECOVERY                      Off
- DRIVE FAULT                  Off
- DC OVERVOLT.                Off
- AC OVERVOLT.                Off
- PHASE                          Off
- OVER TEMP                    Off

#### 7.3.2 DIGIVEX Motion

Any problems arising may be displayed in either of two ways:

- A DRIVE FAULT LED on the front panel of the DIGIVEX Power Supply module indicates there is a problem with one of the axes.
- An 7-segment display on the front panel of each DIGIVEX Motion module shows the servoamplifier's general status: DIGIVEX Motion module PME software must be used to show, in plain language, status and fault information together with advice for correcting faults.

## Servoamplifier DIGIVEX Multi Motion (DMM)

### 7.4 7-segment display status

Function: To provide information on the DIGIVEX status distinguishing between faults.

Description :

Description	Display	status _ number	Status
<i>Stand by without power with execution of application program</i>	0	36	Information
<i>Stand by without power without execution of application program</i>	blinking 0	1	Information
<i>Power present with execution of application program</i>	1	21	Information
<i>Power present without execution of application program</i>	blinking 1	2	Information
<i>Resolver failure</i>	2	3	Major Fault
<i>Encoder fault</i>	blinking 2	37	Major Fault
<i>Excessive ambient temperature</i>	3	4	Major Fault
<i>Excessive heatsink temperature</i>	3	5	Major Fault
<i>High heatsink temperature with reduced current</i>	blinking 3	6	Information
<i>Excessive motor speed (in rpm)</i>	4	7	Major Fault
<i>Excessive application speed (in Units/s)</i>	4	35	Major Fault
<i>Excessive supply current</i>	5	8	Major Fault
<i>Excessive variable speed drive current</i>	6	9	Major Fault
<i>Excessive dl/dt</i>	6	10	Major Fault
<i>Excessive average current</i>	7	11	Major Fault
<i>Excessive RMS current</i>	7	13	Major Fault
<i>Excessive average current with reduced current</i>	blinking 7	12	Information
<i>Excessive RMS current with reduced current</i>	blinking 7	14	Information
<i>Bus overvoltage</i>	8	15	Major Fault
<i>Excessive motor temperature</i>	9	16	Major Fault
<i>Option card fault</i>	11	29	Major Fault
<i>Incompatible Axis/Spindle definition</i>	A	17	Major Fault
<i>CAN or Profibus connection fault</i>	b	18	Major Fault
<i>Motor not connected</i>	C	19	Major Fault
<i>User program memory fault</i>	d	20	Major Fault
<i>Emergency stop</i>	E	38	Major Fault
<i>Personalization board missing</i>	F	22	Major Fault
<i>Axis / personalization board incompatible</i>	F	23	Major Fault
<i>Internal parameter calculation fault</i>	F	24	Major Fault
<i>+ Electrical limit reached</i>	H	25	Minor Fault
<i>- Electrical limit reached</i>	H	26	Minor Fault
<i>+ Software limit reached</i>	L	33	Minor Fault
<i>- Software limit reached</i>	L	34	Minor Fault
<i>Program execution fault</i>	P	27	Minor Fault
<i>Tracking error fault</i>	U	28	Major Fault
<i>C167 CPU Fault</i>	.	31	Major Fault
<i>DSP CPU Fault</i>	. blinking	32	Major Fault
<i>Synchronization message timeout</i>	blinking b	41	Minor Fault
<i>Licence missing</i>	blinking F	42	Minor Fault

Major faults cause the OK relay to open.

Minor faults cause an operating error to be displayed.